



retropolitan™
by ANP Lighting

retropolitan™
by ANP Lighting

INSPIRED DESIGN
Vintage fresh

ICONIC DESIGN PAIRS WITH A NOSTALGIC PALETTE IN OUR NEW LINE OF VINTAGE INSPIRED FIXTURES FOR EXTERIOR AND INTERIOR LIGHTING APPLICATIONS. DESIGNERS AND ARCHITECTS WILL FIND THE SIMPLE, INDUSTRIAL STYLING, WIRE CAGING, AND RETRO CHIC COLORS WILL ADD A TIMELESS TOUCH TO RESTAURANTS, HOTELS, AND RETAIL LOCATIONS.



VINTAGE FRESH FIXTURES

- 4-5 urban warehouse
- 6-7 contempo barn
- 8-9 euro barn
- 10-11 euro barn slim
- 12-13 urban bistro
- 14-15 vintage lampshade
- 16-17 vintage bistro
- 18-19 contempo bistro
- 20-21 vintage bar
- 22-23 wire lamp
- 24-25 vintage emblem
- 26-27 vintage angle

COLOR FINISHES & ACCESSORIES

28-29

WARRANTY

30

retropolitan™

800.548.3227
ANPlighting.com



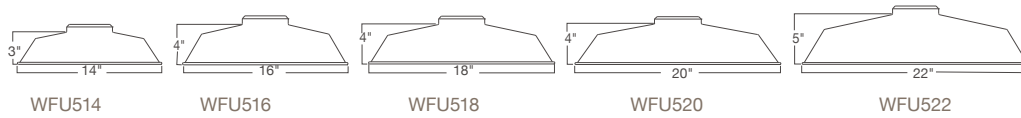
WFU518-47-E33UR18-47



WFU514-81-E33UR14-81

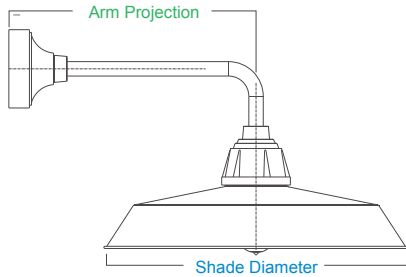
Featured: WFU522-10-BLCUR-13-GUP110-13

shades



specifications

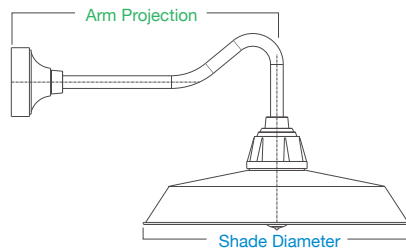
- Max Wattage: 200w incandescent
- Solid cast aluminum hub and cap
- Heavy duty spun aluminum
- Lamps are not included



90° wall mounts

► choose a row and select finishes to complete your product number

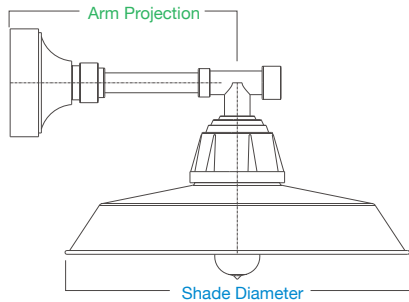
SHADE	SELECT FINISH	ARM	SELECT FINISH	ACCESSORY		SELECT FINISH
				WIRE LAMP GUARD		
WFU514		E31UR12		GUP120	GUP110	
WFU516		E31UR16		GUP120	GUP110	
WFU518		E31UR16		GUP120	GUP110	
WFU520		E31UR18		GUP120	GUP110	
WFU522		E31UR18		GUP120	GUP110	



gooseneck wall mounts

► choose a row and select finishes to complete your product number

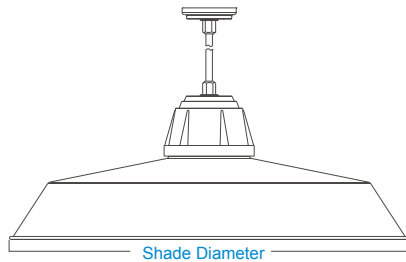
SHADE	SELECT FINISH	ARM	SELECT FINISH	ACCESSORY		SELECT FINISH
				WIRE LAMP GUARD		
WFU514		E33UR14		GUP120	GUP110	
WFU516		E33UR18		GUP120	GUP110	
WFU518		E33UR18		GUP120	GUP110	
WFU520		E33UR22		GUP120	GUP110	
WFU522		E33UR22		GUP120	GUP110	



straight wall mounts

► choose a row and select finishes to complete your product number

SHADE	SELECT FINISH	ARM	SELECT FINISH	ACCESSORY		SELECT FINISH
				WIRE LAMP GUARD		
WFU514		E35UR12		GUP120	GUP110	
WFU516		E35UR16		GUP120	GUP110	
WFU518		E35UR16		GUP120	GUP110	
WFU520		E35UR18		GUP120	GUP110	
WFU522		E35UR18		GUP120	GUP110	



pendants

► choose a row and select finishes to complete your product number

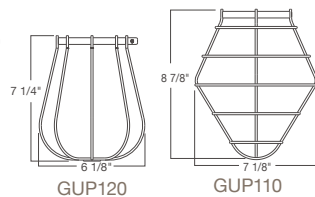
SHADE	SELECT FINISH	8' CORD		HUB	SELECT FINISH*	ACCESSORIES			SELECT FINISH
		BLK	WHT			WIRE LAMP GUARD	CORD COVER		
WFU514		BLC	WHC	UR		GUP120	GUP110	TCPG	
WFU516		BLC	WHC	UR		GUP120	GUP110	TCPG	
WFU518		BLC	WHC	UR		GUP120	GUP110	TCPG	
WFU520		BLC	WHC	UR		GUP120	GUP110	TCPG	
WFU522		BLC	WHC	UR		GUP120	GUP110	TCPG	

*Same finish on canopy and hub.

accessories (optional)



TCPG



wire lamp guards

featured finishes

► Additional finish options including marine grade available – see page 29





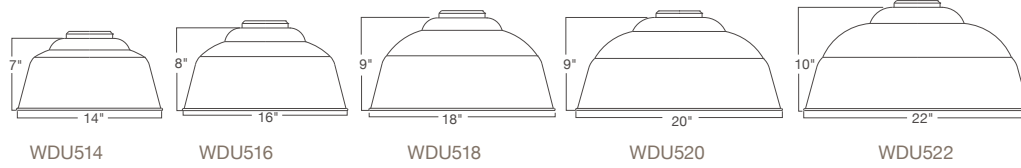
WDU520-10-E33UE22-41



WDU516-47-E35UE16-13

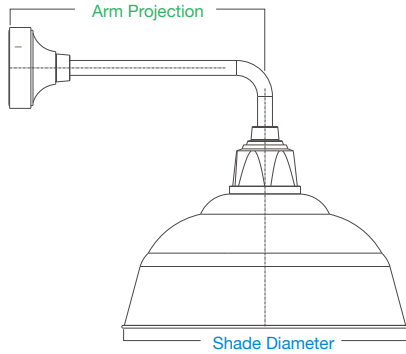
Featured: WDU520-11-BLCUE-13

shades



specifications

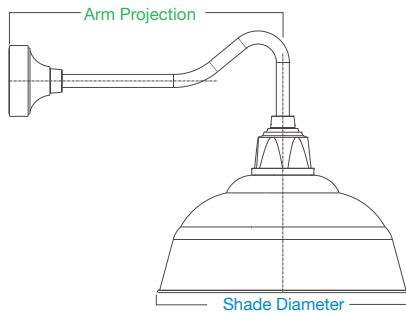
- Max Wattage: 200w incandescent
- Solid cast aluminum hub and cap
- Heavy duty spun aluminum
- Lamps are not included



90° wall mounts

▶ choose a row and select finishes to complete your product number

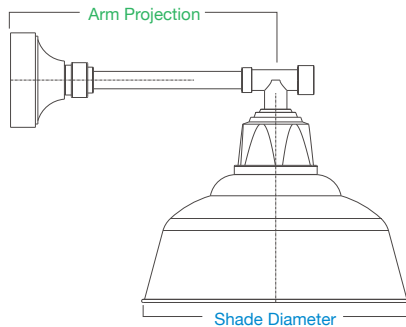
SHADE	SELECT FINISH	ARM	SELECT FINISH	ACCESSORY		SELECT FINISH
				WIRE LAMP GUARD		
WDU514		E31UE12		GUP120	GUP110	
WDU516		E31UE16		GUP120	GUP110	
WDU518		E31UE16		GUP120	GUP110	
WDU520		E31UE18		GUP120	GUP110	
WDU522		E31UE18		GUP120	GUP110	



gooseneck wall mounts

▶ choose a row and select finishes to complete your product number

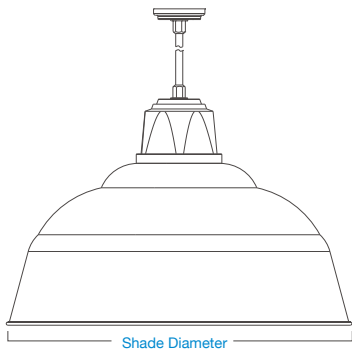
SHADE	SELECT FINISH	ARM	SELECT FINISH	ACCESSORY		SELECT FINISH
				WIRE LAMP GUARD		
WDU514		E33UE14		GUP120	GUP110	
WDU516		E33UE18		GUP120	GUP110	
WDU518		E33UE18		GUP120	GUP110	
WDU520		E33UE22		GUP120	GUP110	
WDU522		E33UE22		GUP120	GUP110	



straight wall mounts

▶ choose a row and select finishes to complete your product number

SHADE	SELECT FINISH	ARM	SELECT FINISH	ACCESSORY		SELECT FINISH
				WIRE LAMP GUARD		
WDU514		E35UE12		GUP120	GUP110	
WDU516		E35UE16		GUP120	GUP110	
WDU518		E35UE16		GUP120	GUP110	
WDU520		E35UE18		GUP120	GUP110	
WDU522		E35UE18		GUP120	GUP110	



pendants

▶ choose a row and select finishes to complete your product number

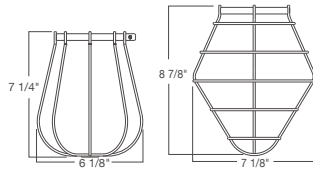
SHADE	SELECT FINISH	8' CORD		HUB	SELECT FINISH*	ACCESSORIES			SELECT FINISH
		BLK	WHT			WIRE LAMP GUARD	CORD COVER		
WDU514		BLC	WHC	UE		GUP120	GUP110	TCPG	
WDU516		BLC	WHC	UE		GUP120	GUP110	TCPG	
WDU518		BLC	WHC	UE		GUP120	GUP110	TCPG	
WDU520		BLC	WHC	UE		GUP120	GUP110	TCPG	
WDU522		BLC	WHC	UE		GUP120	GUP110	TCPG	

*Same finish on canopy and hub.

accessories (optional)



TCPG



wire lamp guards

featured finishes

▶ Additional finish options including marine grade available – see page 29



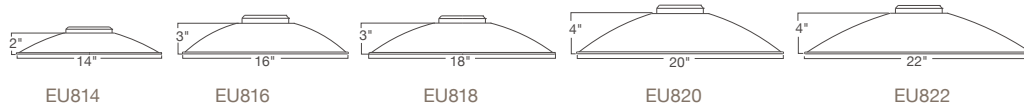


EU818-41-E31UR16-10



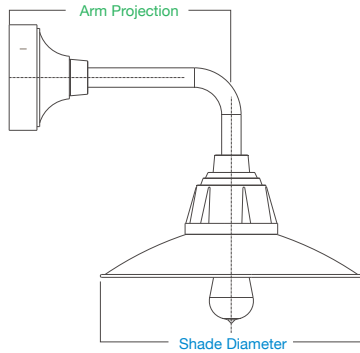
EU814-11-E31UR12-81

Featured: EU814-12-WHCUR-13



specifications

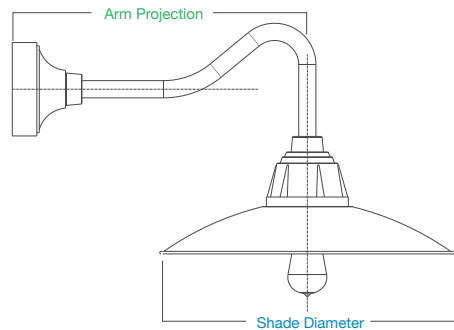
- Max Wattage: 200w incandescent
- Solid cast aluminum hub and cap
- Heavy duty spun aluminum
- Lamps are not included



90° wall mounts

► choose a row and select finishes to complete your product number

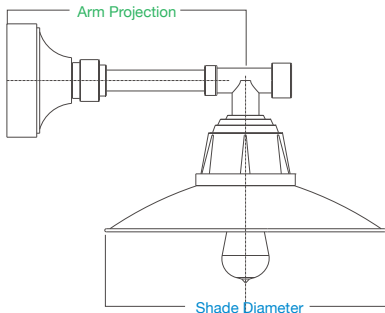
SHADE	SELECT FINISH	ARM	SELECT FINISH	ACCESSORY		SELECT FINISH
				WIRE LAMP GUARD		
EU814		E31UR12		GUP120	GUP110	
EU816		E31UR16		GUP120	GUP110	
EU818		E31UR16		GUP120	GUP110	
EU820		E31UR18		GUP120	GUP110	
EU822		E31UR18		GUP120	GUP110	



gooseneck wall mounts

► choose a row and select finishes to complete your product number

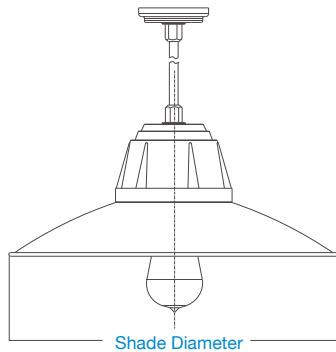
SHADE	SELECT FINISH	ARM	SELECT FINISH	ACCESSORY		SELECT FINISH
				WIRE LAMP GUARD		
EU814		E33UR14		GUP120	GUP110	
EU816		E33UR18		GUP120	GUP110	
EU818		E33UR18		GUP120	GUP110	
EU820		E33UR22		GUP120	GUP110	
EU822		E33UR22		GUP120	GUP110	



straight wall mounts

► choose a row and select finishes to complete your product number

SHADE	SELECT FINISH	ARM	SELECT FINISH	ACCESSORY		SELECT FINISH
				WIRE LAMP GUARD		
EU814		E35UR12		GUP120	GUP110	
EU816		E35UR16		GUP120	GUP110	
EU818		E35UR16		GUP120	GUP110	
EU820		E35UR18		GUP120	GUP110	
EU822		E35UR18		GUP120	GUP110	



pendants

► choose a row and select finishes to complete your product number

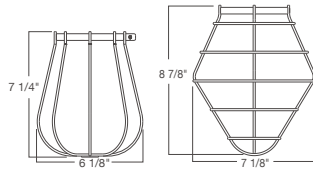
SHADE	SELECT FINISH	8' CORD		HUB	SELECT FINISH*	ACCESSORIES			SELECT FINISH
		BLK	WHT			WIRE LAMP GUARD	CORD COVER		
EU814		BLC	WHC	UR		GUP120	GUP110	TCPG	
EU816		BLC	WHC	UR		GUP120	GUP110	TCPG	
EU818		BLC	WHC	UR		GUP120	GUP110	TCPG	
EU820		BLC	WHC	UR		GUP120	GUP110	TCPG	
EU822		BLC	WHC	UR		GUP120	GUP110	TCPG	

*Same finish on canopy and hub.

accessories (optional)



TCPG



wire lamp guards

featured finishes

► Additional finish options including marine grade available – see page 29





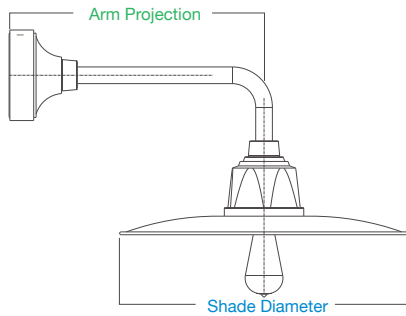
EU916-41-E35UE16-81-GUP120-81



EU920-47-E33UE22-53-GUP110-53

Featured: EU916-11-BLCUE-13-GUP120-13-TCPG

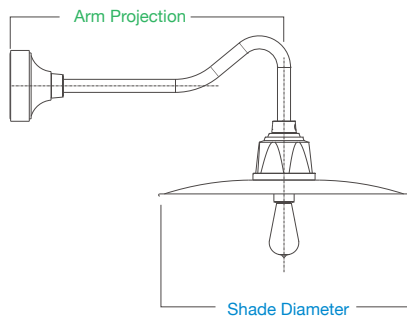
- Max Wattage: 200w incandescent
- Solid cast aluminum hub and cap
- Heavy duty spun aluminum
- Lamps are not included



90° wall mounts

► choose a row and select finishes to complete your product number

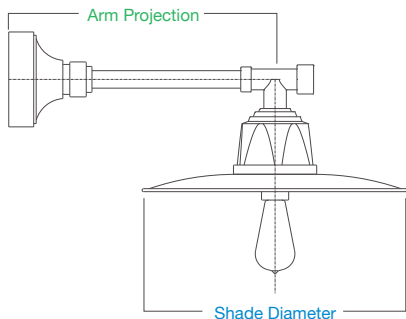
SHADE	SELECT FINISH	ARM	SELECT FINISH	ACCESSORY		SELECT FINISH
				WIRE LAMP GUARD	WIRE LAMP GUARD	
EU914		E31UE12		GUP120	GUP110	
EU916		E31UE16		GUP120	GUP110	
EU918		E31UE16		GUP120	GUP110	
EU920		E31UE18		GUP120	GUP110	
EU922		E31UE18		GUP120	GUP110	



gooseneck wall mounts

► choose a row and select finishes to complete your product number

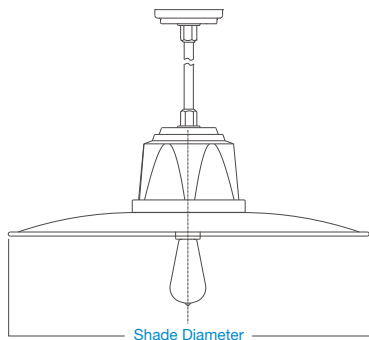
SHADE	SELECT FINISH	ARM	SELECT FINISH	ACCESSORY		SELECT FINISH
				WIRE LAMP GUARD	WIRE LAMP GUARD	
EU914		E33UE14		GUP120	GUP110	
EU916		E33UE18		GUP120	GUP110	
EU918		E33UE18		GUP120	GUP110	
EU920		E33UE22		GUP120	GUP110	
EU922		E33UE22		GUP120	GUP110	



straight wall mounts

► choose a row and select finishes to complete your product number

SHADE	SELECT FINISH	ARM	SELECT FINISH	ACCESSORY		SELECT FINISH
				WIRE LAMP GUARD	WIRE LAMP GUARD	
EU914		E35UE12		GUP120	GUP110	
EU916		E35UE16		GUP120	GUP110	
EU918		E35UE16		GUP120	GUP110	
EU920		E35UE18		GUP120	GUP110	
EU922		E35UE18		GUP120	GUP110	



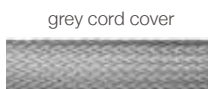
pendants

► choose a row and select finishes to complete your product number

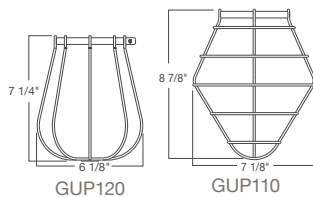
SHADE	SELECT FINISH	8' CORD		HUB	SELECT FINISH*	ACCESSORIES			SELECT FINISH
		BLK	WHT			WIRE LAMP GUARD	CORD COVER	CORD COVER	
EU914		BLC	WHC	UE		GUP120	GUP110	TCPG	
EU916		BLC	WHC	UE		GUP120	GUP110	TCPG	
EU918		BLC	WHC	UE		GUP120	GUP110	TCPG	
EU920		BLC	WHC	UE		GUP120	GUP110	TCPG	
EU922		BLC	WHC	UE		GUP120	GUP110	TCPG	

*Same finish on canopy and hub.

accessories (optional)



TCPG



wire lamp guards

featured finishes

► Additional finish options including marine grade available – see page 29





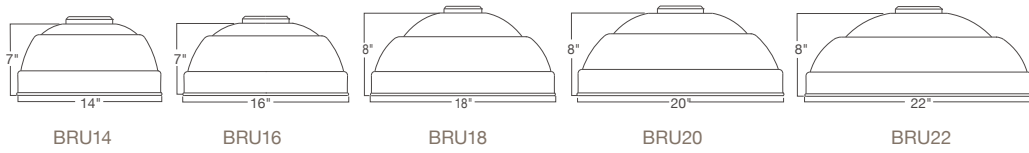
BRU22-11-E31UT18-13



BRU14-10-E35UT12-13

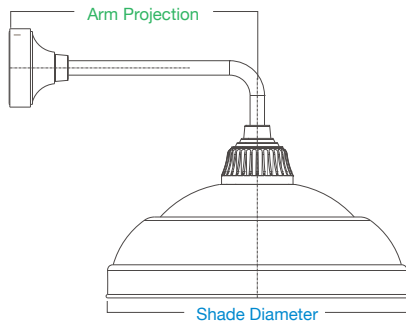
Featured: BRU16-47-BLCUT-13

shades



specifications

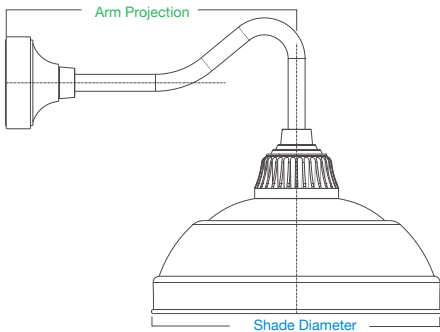
- Max Wattage: 200w incandescent
- Solid cast aluminum hub and cap
- Heavy duty spun aluminum
- Lamps are not included



90° wall mounts

► choose a row and select finishes to complete your product number

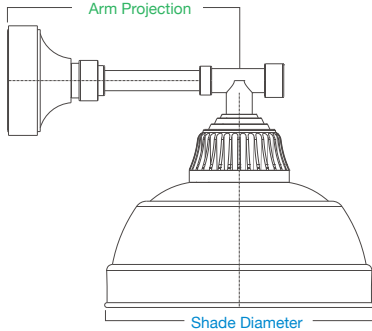
SHADE	SELECT FINISH	ARM	SELECT FINISH	ACCESSORY		SELECT FINISH
				WIRE LAMP GUARD		
BRU14		E31UT12		GUP120	GUP110	
BRU16		E31UT16		GUP120	GUP110	
BRU18		E31UT16		GUP120	GUP110	
BRU20		E31UT18		GUP120	GUP110	
BRU22		E31UT18		GUP120	GUP110	



gooseneck wall mounts

► choose a row and select finishes to complete your product number

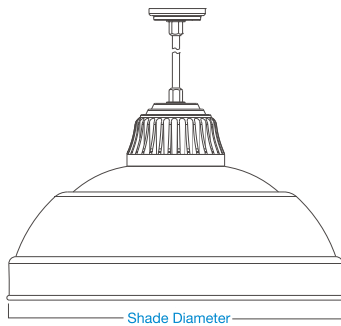
SHADE	SELECT FINISH	ARM	SELECT FINISH	ACCESSORY		SELECT FINISH
				WIRE LAMP GUARD		
BRU14		E33UT14		GUP120	GUP110	
BRU16		E33UT18		GUP120	GUP110	
BRU18		E33UT18		GUP120	GUP110	
BRU20		E33UT22		GUP120	GUP110	
BRU22		E33UT22		GUP120	GUP110	



straight wall mounts

► choose a row and select finishes to complete your product number

SHADE	SELECT FINISH	ARM	SELECT FINISH	ACCESSORY		SELECT FINISH
				WIRE LAMP GUARD		
BRU14		E35UT12		GUP120	GUP110	
BRU16		E35UT16		GUP120	GUP110	
BRU18		E35UT16		GUP120	GUP110	
BRU20		E35UT18		GUP120	GUP110	
BRU22		E35UT18		GUP120	GUP110	



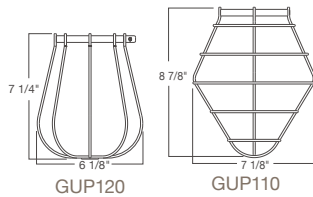
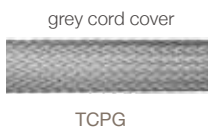
pendants

► choose a row and select finishes to complete your product number

SHADE	SELECT FINISH	8' CORD		HUB	SELECT FINISH*	ACCESSORIES			SELECT FINISH
		BLK	WHT			WIRE LAMP GUARD	CORD COVER		
BRU14		BLC	WHC	UT		GUP120	GUP110	TCPG	
BRU16		BLC	WHC	UT		GUP120	GUP110	TCPG	
BRU18		BLC	WHC	UT		GUP120	GUP110	TCPG	
BRU20		BLC	WHC	UT		GUP120	GUP110	TCPG	
BRU22		BLC	WHC	UT		GUP120	GUP110	TCPG	

*Same finish on canopy and hub.

accessories (optional)



featured finishes

► Additional finish options including marine grade available – see page 29





LSU16-10-E33UE18-13

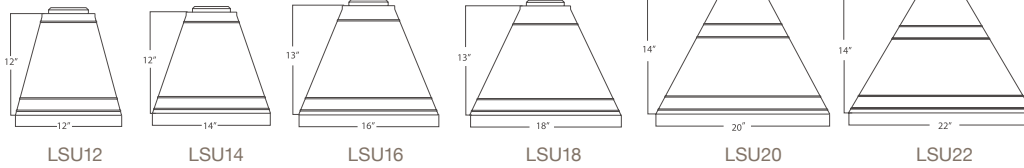


LSU12-47-E35UE10-13



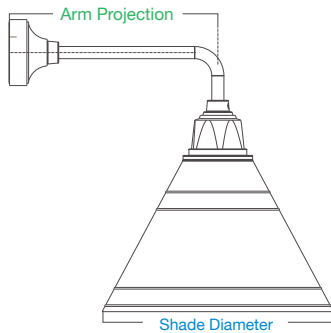
Featured: LSU12-12-BLCUE-13-TCPG

shades



specifications

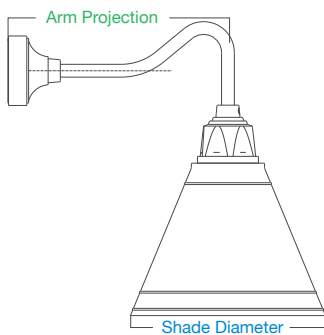
- Max Wattage: 200w incandescent
- Solid cast aluminum hub and cap
- Heavy duty spun aluminum
- Lamps are not included



90° wall mounts

► choose a row and select finishes to complete your product number

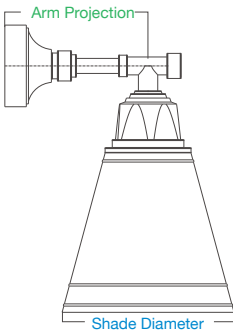
SHADE	SELECT FINISH	ARM	SELECT FINISH	ACCESSORY		SELECT FINISH
				WIRE LAMP GUARD	WIRE LAMP GUARD	
LSU12		E31UE10		GUP120	GUP110	
LSU14		E31UE12		GUP120	GUP110	
LSU16		E31UE16		GUP120	GUP110	
LSU18		E31UE16		GUP120	GUP110	
LSU20		E31UE18		GUP120	GUP110	
LSU22		E31UE18		GUP120	GUP110	



gooseneck wall mounts

► choose a row and select finishes to complete your product number

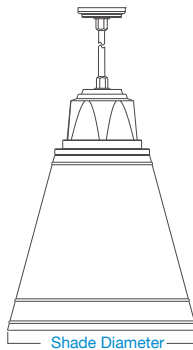
SHADE	SELECT FINISH	ARM	SELECT FINISH	ACCESSORY		SELECT FINISH
				WIRE LAMP GUARD	WIRE LAMP GUARD	
LSU12		E33UE14		GUP120	GUP110	
LSU14		E33UE14		GUP120	GUP110	
LSU16		E33UE18		GUP120	GUP110	
LSU18		E33UE18		GUP120	GUP110	
LSU20		E33UE22		GUP120	GUP110	
LSU22		E33UE22		GUP120	GUP110	



straight wall mounts

► choose a row and select finishes to complete your product number

SHADE	SELECT FINISH	ARM	SELECT FINISH	ACCESSORY		SELECT FINISH
				WIRE LAMP GUARD	WIRE LAMP GUARD	
LSU12		E35UE10		GUP120	GUP110	
LSU14		E35UE12		GUP120	GUP110	
LSU16		E35UE16		GUP120	GUP110	
LSU18		E35UE16		GUP120	GUP110	
LSU20		E35UE18		GUP120	GUP110	
LSU22		E35UE18		GUP120	GUP110	



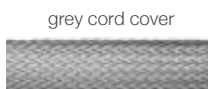
pendants

► choose a row and select finishes to complete your product number

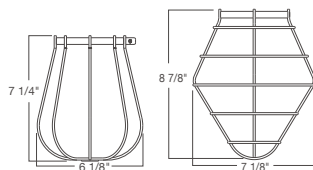
SHADE	SELECT FINISH	8' CORD		HUB	SELECT FINISH*	ACCESSORIES		SELECT FINISH
		BLK	WHT			WIRE LAMP GUARD	CORD COVER	
LSU12		BLC	WHC	UE		GUP120	GUP110	TCPG
LSU14		BLC	WHC	UE		GUP120	GUP110	TCPG
LSU16		BLC	WHC	UE		GUP120	GUP110	TCPG
LSU18		BLC	WHC	UE		GUP120	GUP110	TCPG
LSU20		BLC	WHC	UE		GUP120	GUP110	TCPG
LSU22		BLC	WHC	UE		GUP120	GUP110	TCPG

*Same finish on canopy and hub.

accessories (optional)



TCPG



wire lamp guards

featured finishes

► Additional finish options including marine grade available – see page 29





BEU18-11-E35UR16-13

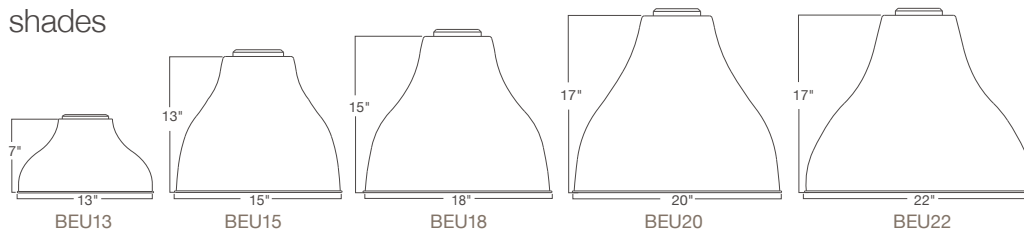


BEU13-10-E31UR12-10



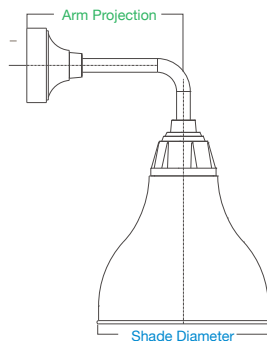
Featured: BEU13-53-BLCUR-53

shades



specifications

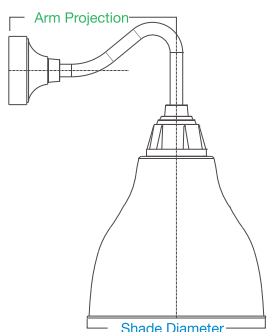
- Max Wattage: 200w incandescent
- Solid cast aluminum hub and cap
- Heavy duty spun aluminum
- Lamps are not included



90° wall mounts

► choose a row and select finishes to complete your product number

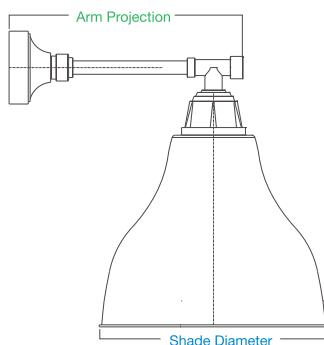
SHADE	SELECT FINISH	ARM	SELECT FINISH	ACCESSORY WIRE LAMP GUARD		SELECT FINISH
BEU13		E31UR12		GUP120	GUP110	
BEU15		E31UR16		GUP120	GUP110	
BEU18		E31UR16		GUP120	GUP110	
BEU20		E31UR18		GUP120	GUP110	
BEU22		E31UR18		GUP120	GUP110	



gooseneck wall mounts

► choose a row and select finishes to complete your product number

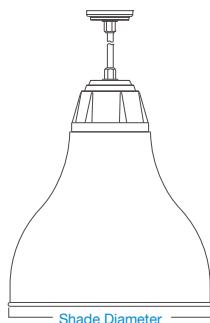
SHADE	SELECT FINISH	ARM	SELECT FINISH	ACCESSORY WIRE LAMP GUARD		SELECT FINISH
BEU13		E33UR14		GUP120	GUP110	
BEU15		E33UR18		GUP120	GUP110	
BEU18		E33UR18		GUP120	GUP110	
BEU20		E33UR22		GUP120	GUP110	
BEU22		E33UR22		GUP120	GUP110	



straight wall mounts

► choose a row and select finishes to complete your product number

SHADE	SELECT FINISH	ARM	SELECT FINISH	ACCESSORY WIRE LAMP GUARD		SELECT FINISH
BEU13		E35UR12		GUP120	GUP110	
BEU15		E35UR16		GUP120	GUP110	
BEU18		E35UR16		GUP120	GUP110	
BEU20		E35UR18		GUP120	GUP110	
BEU22		E35UR18		GUP120	GUP110	



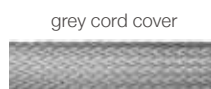
pendants

► choose a row and select finishes to complete your product number

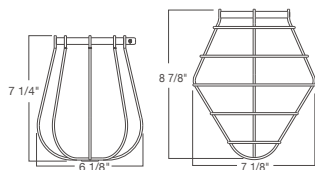
SHADE	SELECT FINISH	8' CORD		HUB	SELECT FINISH*	ACCESSORIES			SELECT FINISH
		BLK	WHT			WIRE LAMP GUARD	CORD COVER		
BEU13		BLC	WHC	UR		GUP120	GUP110	TCPG	
BEU15		BLC	WHC	UR		GUP120	GUP110	TCPG	
BEU18		BLC	WHC	UR		GUP120	GUP110	TCPG	
BEU20		BLC	WHC	UR		GUP120	GUP110	TCPG	
BEU22		BLC	WHC	UR		GUP120	GUP110	TCPG	

*Same finish on canopy and hub.

accessories (optional)



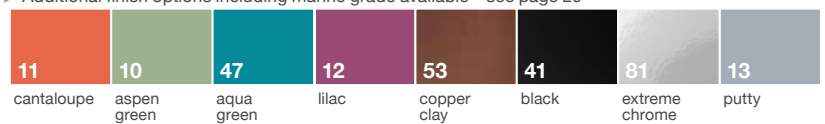
TCPG



wire lamp guards

featured finishes

► Additional finish options including marine grade available – see page 29





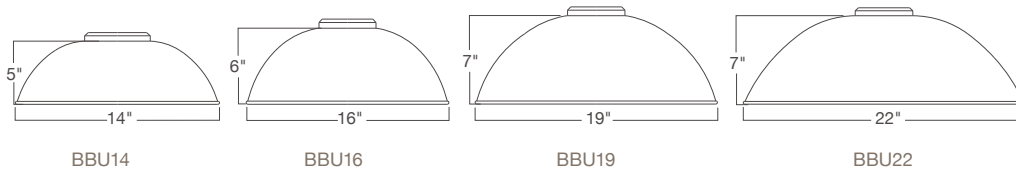
BBU19-11-E35UT16-53



BBU16-10-E33UT18-13

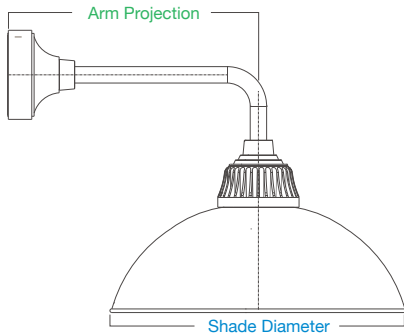
Featured: BBU16-47-BLCUT-81-TCPG

shades



specifications

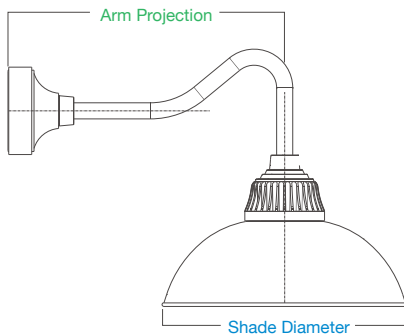
- Max Wattage: 200w incandescent
- Solid cast aluminum hub and cap
- Heavy duty spun aluminum
- Lamps are not included



90° wall mounts

► choose a row and select finishes to complete your product number

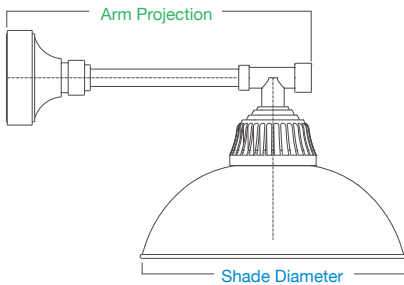
SHADE	SELECT FINISH	ARM	SELECT FINISH	ACCESSORY		SELECT FINISH
				WIRE LAMP GUARD		
BBU14		E31UT12		GUP120	GUP110	
BBU16		E31UT16		GUP120	GUP110	
BBU19		E31UT16		GUP120	GUP110	
BBU22		E31UT18		GUP120	GUP110	



gooseneck wall mounts

► choose a row and select finishes to complete your product number

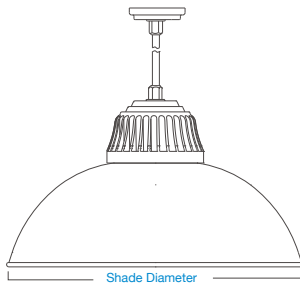
SHADE	SELECT FINISH	ARM	SELECT FINISH	ACCESSORY		SELECT FINISH
				WIRE LAMP GUARD		
BBU14		E33UT14		GUP120	GUP110	
BBU16		E33UT18		GUP120	GUP110	
BBU19		E33UT18		GUP120	GUP110	
BBU22		E33UT22		GUP120	GUP110	



straight wall mounts

► choose a row and select finishes to complete your product number

SHADE	SELECT FINISH	ARM	SELECT FINISH	ACCESSORY		SELECT FINISH
				WIRE LAMP GUARD		
BBU14		E35UT12		GUP120	GUP110	
BBU16		E35UT16		GUP120	GUP110	
BBU19		E35UT16		GUP120	GUP110	
BBU22		E35UT18		GUP120	GUP110	



pendants

► choose a row and select finishes to complete your product number

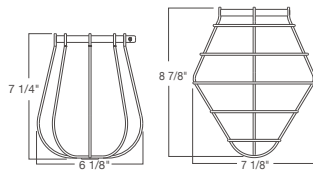
SHADE	SELECT FINISH	8' CORD		HUB	SELECT FINISH*	ACCESSORIES			SELECT FINISH
		BLK	WHT			WIRE LAMP GUARD	CORD COVER		
BBU14		BLC	WHC	UT		GUP120	GUP110	TCPG	
BBU16		BLC	WHC	UT		GUP120	GUP110	TCPG	
BBU19		BLC	WHC	UT		GUP120	GUP110	TCPG	
BBU22		BLC	WHC	UT		GUP120	GUP110	TCPG	

*Same finish on canopy and hub.

accessories (optional)



TCPG



wire lamp guards

featured finishes

► Additional finish options including marine grade available – see page 29





VBUTGUP120-1-10

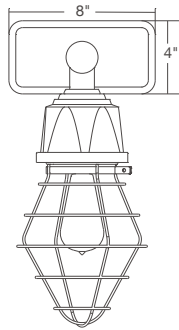


VBUEGUP120-2-47

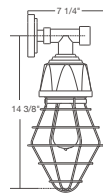
Featured: VBURGUP110-1-41

specifications

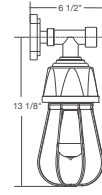
- Max Wattage: 200w incandescent
- Solid cast aluminum hub and cap
- Heavy duty spun aluminum
- Lamps are not included



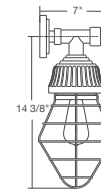
VBUEGUP110



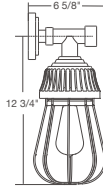
VBUEGUP110



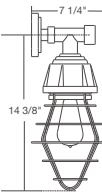
VBUEGUP120



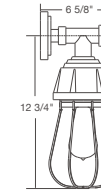
VBUTGUP110



VBUTGUP120



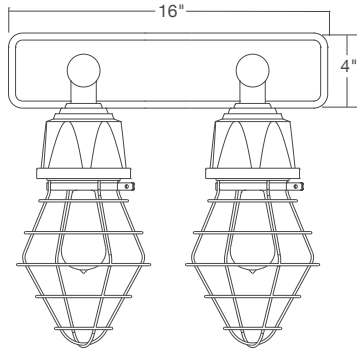
VBURGUP110



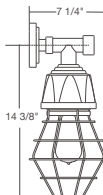
VBURGUP120

single

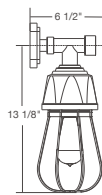
MODEL	SELECT FINISH
VBUEGUP110-1	
VBUEGUP120-1	
VBUTGUP110-1	
VBUTGUP120-1	
VBURGUP110-1	
VBURGUP120-1	



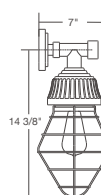
VBUEGUP110



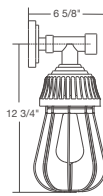
VBUEGUP110



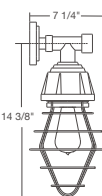
VBUEGUP120



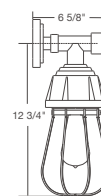
VBUTGUP110



VBUTGUP120



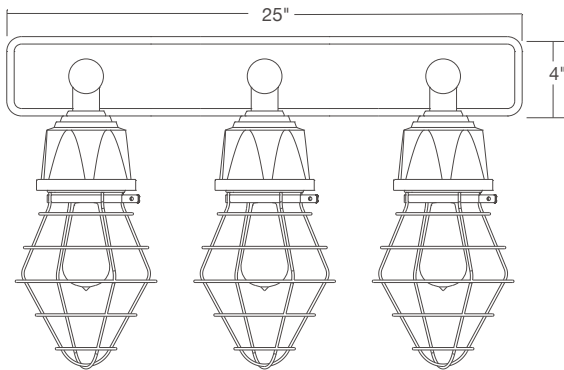
VBURGUP110



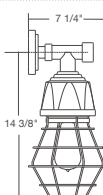
VBURGUP120

double

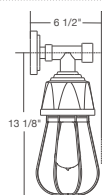
MODEL	SELECT FINISH
VBUEGUP110-2	
VBUEGUP120-2	
VBUTGUP110-2	
VBUTGUP120-2	
VBURGUP110-2	
VBURGUP120-2	



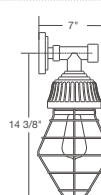
VBUEGUP110



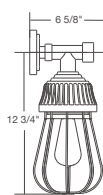
VBUEGUP110



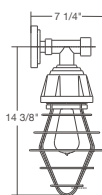
VBUEGUP120



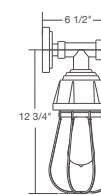
VBUTGUP110



VBUTGUP120



VBURGUP110



VBURGUP120

triple

MODEL	SELECT FINISH
VBUEGUP110-3	
VBUEGUP120-3	
VBUTGUP110-3	
VBUTGUP120-3	
VBURGUP110-3	
VBURGUP120-3	

featured finishes

► Additional finish options including marine grade available – see page 29





GUP110-E31UR10-41



GUP110-E35UR10-53



GUP120-E33UE14-47



Featured: GUP120-BLCUE-10



Featured: GUP110-BLCUR-53

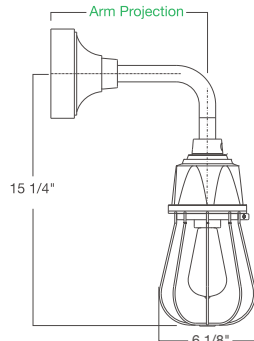
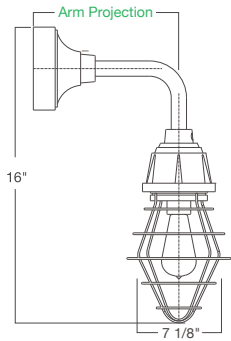
specifications

- Max Wattage: 200w incandescent
- Solid cast aluminum hub and cap
- Heavy duty spun aluminum
- Lamps are not included



GUP110

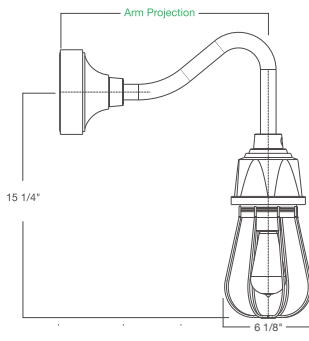
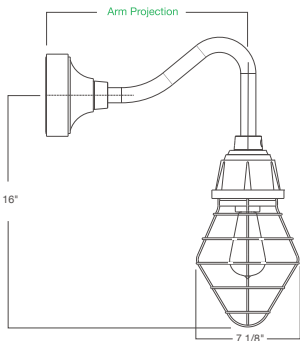
GUP120



90° wall mounts

► choose a row and select finish to complete your product number

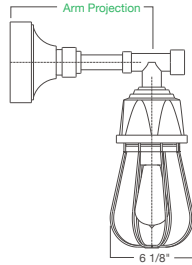
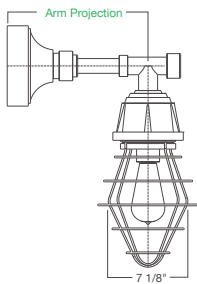
MODEL	ARM	SELECT FINISH
GUP110	E31UR10	
GUP110	E31UR12	
GUP110	E31UR16	
GUP120	E31UE10	
GUP120	E31UE12	
GUP120	E31UE16	



gooseneck wall mounts

► choose a row and select finish to complete your product number

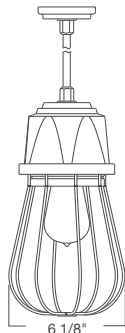
MODEL	ARM	SELECT FINISH
GUP110	E33UR14	
GUP110	E33UR18	
GUP110	E33UR22	
GUP120	E33UE14	
GUP120	E33UE18	
GUP120	E33UE22	



straight wall mounts

► choose a row and select finish to complete your product number

MODEL	ARM	SELECT FINISH
GUP110	E35UR10	
GUP110	E35UR12	
GUP120	E35UE10	
GUP120	E35UE12	



pendants

► choose a row and select size and finish to complete your product number

MODEL	8' CORD		SELECT FINISH	ACCESSORY GREY CORD COVER
	BLK	WHT		
GUP110	BLCUR	WHCUR		TCPG
GUP120	BLCUE	WHCUE		TCPG

accessory (optional)



featured finishes

► Additional finish options including marine grade available – see page 29



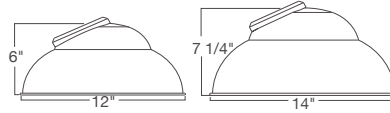


MU712-10-E33UE26-10



MU712-47-E35UE26-13

Featured: MU712-11-E35UE26-11

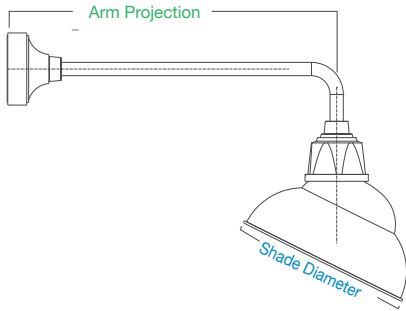


MU12

MU14

specifications

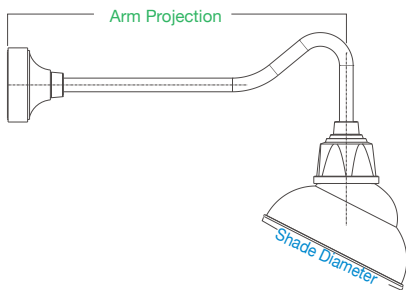
- Max Wattage: 200w incandescent
- Solid cast aluminum hub and cap
- Heavy duty spun aluminum
- Lamps are not included



90° wall mounts

► choose a row and select finish to complete your product number

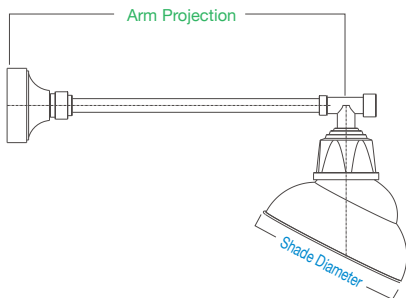
SHADE	SELECT FINISH	ARM	SELECT FINISH
MU712		E31UE26	
MU714		E31UE26	



gooseneck wall mounts

► choose a row and select finish to complete your product number

SHADE	SELECT FINISH	ARM	SELECT FINISH
MU712		E33UE26	
MU714		E33UE26	



straight wall mounts

► choose a row and select finish to complete your product number

SHADE	SELECT FINISH	ARM	SELECT FINISH
MU712		E35UE26	
MU714		E35UE26	

featured finishes

► Additional finish options including marine grade available – see page 29



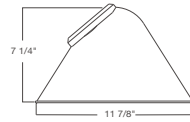


AU814-53-E33UR26-53

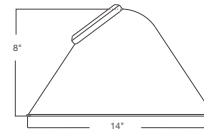


AU814-10-E35UR26-41

Featured: AU814-47-E35UR26-47



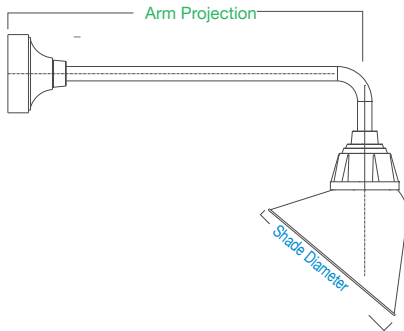
AU812



AU814

specifications

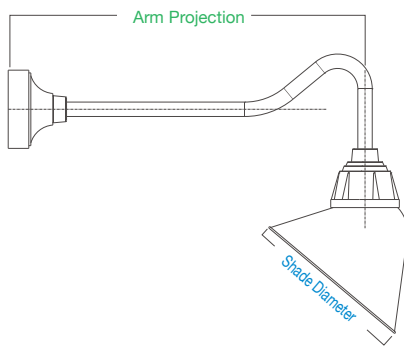
- Max Wattage: 200w incandescent
- Solid cast aluminum hub and cap
- Heavy duty spun aluminum
- Lamps are not included



90° wall mounts

► choose a row and select finish to complete your product number

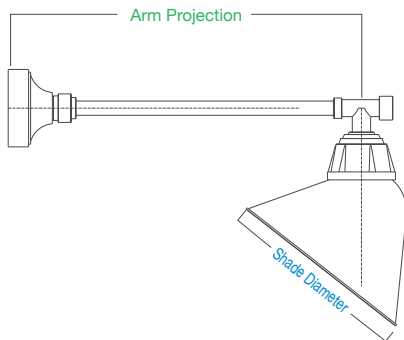
SHADE	SELECT FINISH	ARM	SELECT FINISH
AU812		E31UR26	
AU814		E31UR26	



gooseneck wall mounts

► choose a row and select finish to complete your product number

SHADE	SELECT FINISH	ARM	SELECT FINISH
AU812		E33UR26	
AU814		E33UR26	



straight wall mounts

► choose a row and select finish to complete your product number

SHADE	SELECT FINISH	ARM	SELECT FINISH
AU812		E35UR26	
AU814		E35UR26	

featured finishes

► Additional finish options including marine grade available – see page 29



color finishes and accessories

the colors of retropolitan™

Our retropolitan line is available in a wide array of colors to beautifully complement your environment.

Our colors are painted at a TIGER Drylac® approved facility, and are finished in our polyester powder coat for exceptional durability and color retention. Products undergo an intensive five-step process in which they are cleansed, treated with iron phosphate, and sealed to pre-treat the metal surface for maximum paint adhesion. Whether applied as a textured coat or a smooth gloss, our high quality finish is electro-statically applied and baked at 430° for maximum hardness and wear. The end result is a tough, attractive, durable, scratch resistant, and cost-effective product.

marine grade

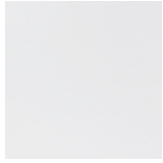
For lighting fixtures exposed to more extreme conditions, such as those found in coastal regions or industrial environments, we offer a marine grade finish that provides superior salt, humidity, and UV protection. This specialty liquid coating, available for an additional charge, withstands up to 3000 hours of continuous salt spray, comes with a 5-year warranty and is available in either a textured or gloss surface. Consult with our factory for additional paint charges.

accessories

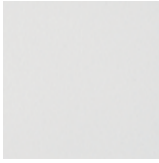
Complement any product with a wire lamp guard in a wide range of colors for that added barn light finish.

Our newest product feature is a basket weave sheath that takes a standard white or black cord to a premium finish.

standard colors



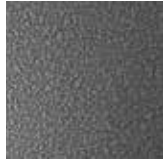
44 white
107 marine grade



77 textured white
127 marine grade



56 silver
109 marine grade



78 textured silver
124 marine grade



59 painted galvanized
70 painted chrome



46 sunny yellow
123 marine grade



43 bright red
114 marine grade



42 forest green
102 marine grade



52 patina verde
104 marine grade



61 black verde
106 marine grade



45 bright blue
112 marine grade



50 navy
111 marine grade



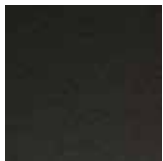
71 painted copper
105 marine grade



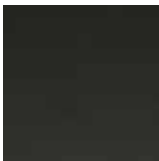
51 architectural bronze
103 marine grade



76 textured architectural bronze
121 marine grade



72 textured black
108 marine grade



73 matte black
125 marine grade



11 cantaloupe
131 marine grade



10 aspen green
130 marine grade



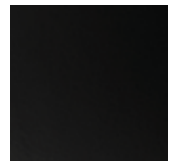
47 aqua green
120 marine grade



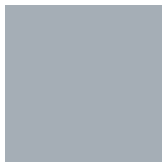
12 lilac
133 marine grade



53 copper clay
100 marine grade



41 black
101 marine grade



13 putty
132 marine grade

premium designer color

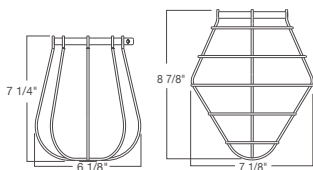


81 extreme chrome
129 marine grade

accessories



TCPG
grey cord sheath



wire lamp guards
GUP120 | GUP110

PROUDLY MADE IN THE U.S.A.  

All ANP Lighting products are made in the U.S.A. in our family owned and operated factory. We are also proud to note that all ANP Lighting products meet the requirements of the Buy American Act; Section 1605 of the American Recovery Reinvestment Act (ARRA). Our RLM products are U.L. listed and feature high-quality aluminum construction.

TERMS & CONDITIONS OF SALE

TERMS

Terms are "Net 30 Days" for customers with approved credit. Past due invoices will be subject to a service charge equal to 1-1/2 % per month. C.O.D accounts are responsible for preparing the payment for the carrier upon delivery. All C.O.D. fees are the responsibility of customer regardless of order size.

GENERAL CONDITIONS

Orders will be billed at prices in effect at time of shipment. Prices are subject to change without notice.

CUSTOM COLORS must be approved, in writing, by the customer before the order is processed. Standard custom color set-up fee will apply per color. Some custom colors may warrant a higher set-up fee.

SAMPLE POLICY

Customer will be billed for the cost of the sample and any freight charges incurred. Design may change at factory's discretion. The samples are returnable at customer's expense but no restock fee will be applied.

FIXTURE WARRANTY

ANP RESERVES THE RIGHT TO ASK FOR SAID DEFECTIVE PRODUCT TO BE RETURNED FOR INSPECTION. IN SOME CASES, REPLACEMENT PRODUCT WILL BE INVOICED UNTIL A DETERMINATION BY ANP THAT PRODUCT IS IN FACT, DEFECTIVE

Once determined defective, ANP will repair or replace freight prepaid, any ANP product defective in workmanship or materials. ANP reserves the right to ship replacement parts via the most economical way. Customer is responsible for any freight charges over normal ground rates. Such replacement is the exclusive remedy against ANP should any of the fixtures delivered prove defective, and is limited to one year from date of shipment for materials and 90 days for labor. We reserve the right to determine the best method of correcting problems.

WRITTEN APPROVAL IS NECESSARY FOR ANY CHARGE-BACKS OF LABOR OR MATERIAL. COMPONENTS NOT MANUFACTURED BY ANP ARE SUBJECT TO THE ORIGINAL MANUFACTURER'S WARRANTY

BALLAST WARRANTY

Ballasts, capacitors and igniters are guaranteed by the ballast manufacturer. Units will be exchanged by the local ballast manufacturer's authorized dealer or by ANP Lighting, acting as their agent. Neither the ballast manufacturer, his agent nor ANP Lighting will honor cash reimbursement claim to cover material charges for replacement ballasts, capacitors or igniters. No charges for rental of equipment or travel time will be paid by ANP Lighting. If the customer feels they will want labor reimbursement, they need to handle the defective item DIRECTLY through the ballast manufacturer.

EXPEDITE FEE

Orders requiring special or expedited lead times will be assessed a fee.

FREIGHT POLICY

IF ANCHOR BOLTS AND TEMPLATE ARE REQUIRED BEFORE SCHEDULED SHIP DATE, A SEPARATE FREIGHT CHARGE WILL APPLY.

FREIGHT ALLOWED

Minimum freight charge may apply. Arbitrary charges from carrier such as but not limited to lift-gate service, restricted area, residential and construction site delivery are not included in freight allowed orders and will be billed. Freight allowed orders requiring AIR service or other excessive freight charges will only be allowed standard ground freight LTL charges. Additional freight cost will be billed.

NON FREIGHT ALLOWED ORDERS

Freight F.O.B. Montclair, CA 91763. Minimum freight charge may apply and may be shipped entirely at customer's expense.

OUTSIDE CONTIGUOUS U.S.A

Transportation charges to points outside the contiguous USA will be the responsibility of the customer. The customer must provide either their UPS or FedEx account number to bill the freight charges on, as ANP will no longer bill those charges to the invoice. If shipment moves via LTL carrier, all the freight arrangements must be made by the customer.

FREIGHT CLAIMS

Title passes to consignee on delivery to carrier. Freight claims are your responsibility. All concealed damage/piece shortages and damaged merchandise claims must be filed by receiving party to the delivering carrier. ANP Lighting will not accept claims for any of the above. File your claim with the carrier for loss or damage. Shipments travel at PURCHASER'S RISK. If in the unlikely event the merchandise is defective, the claim to ANP Lighting must be made within ten (10) days.

CANCELLATION/RETURN OF MATERIAL

Cancellation Requests must be received in writing. A cancellation fee of 50% may be applied.

RETURN OF MATERIAL

Material cannot be returned without prior written permission from the Factory. Requests to return material must be made within 30 days from the date of shipment and must show customer's order number, ANP's invoice number and date. Material accepted for credit is subject to a 40% restocking charge, freight both ways, and any reconditioning and repackaging charges that are necessary. CUSTOM-MADE OR DISCONTINUED ITEMS ARE NOT RETURNABLE MATERIAL. Return shipments must be made within 30 days from RGA Date. Material must be new, in original Factory cartons, subject to inspection. DAMAGED OR UNSALEABLE MATERIAL WILL BE CREDITED AT SALVAGE VALUE OR LESS COST OF REPAIRS.

Since 1985, ANP Lighting has been skillfully integrating design aesthetics, engineering excellence, and advancing technology to manufacture the industry's only all-LED line of decorative architectural lighting and warehouse-inspired RLM fixtures. With our privately owned foundry and spinning facilities and in-house engineering department, we can quickly and cost-effectively modify any product to deliver an affordable custom modification solution. We empower architects, engineers, and specifiers to meet the growing demand for energy conservation, sustainability, and environmental design inspiration.

We design and manufacture the largest selection of LED decorative architectural lighting available today, including luminaires, bases, poles, and bollards, and are recognized as the #1 manufacturer of RLM fixtures and mountings in the industry.

Our Specialties

Decorative Architectural Lighting | Warehouse-inspired RLM Lighting | All LED Product Line
LED Retrofits | Luminaires | Acorns | Bella Vistas | Poles and Bases | Bollards | Customized
Design and Modifications | In-House Engineering, Foundry and Spinning Facilities

Contact Us

800-548-3227

909-982-1807

ANPLighting.com

9044 Del Mar Avenue, Montclair, CA 91763

***ANP*Lighting**
INNOVATIVE SITE LIGHTING