



YOUR EXPRESSION IS OUR PASSION[®]
The CAST Impressionist Series[®]



LIGHTING

Old world craftsmanship. . . today's technology[®]

Design As You Never Could Before
Advanced Integrated LED's with
Exceptional Flexibility and Performance
Buy One and You're Done![™]

You Need Design FLEXIBILITY

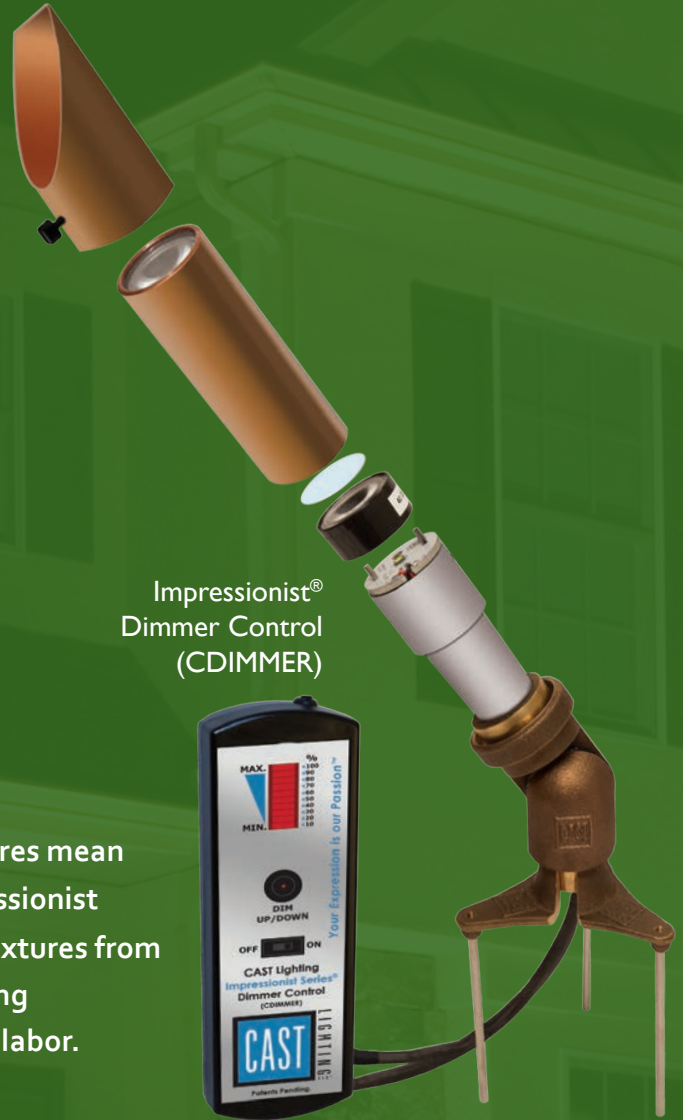
IMPRESSIONIST DESIGNED TO ADJUST

- ▶ LIGHT LEVEL
- ▶ BEAM SPREAD
- ▶ GLARE CONTROL
- ▶ COLOR OPTIONS
- ▶ MOUNTING OPTIONS

Save Time & Labor:

20 light levels, **5** beam spreads, plus **2** color temperatures mean **200** combinations in **1** fixture! That's right – one Impressionist Directional replaces dozens of retrofit lamps or integrated fixtures from other manufacturers. Less time planning, purchasing, making adjustments in the field – all significant savings in time and labor.

"Buy one, and you're done."™



Impressionist®
Dimmer Control
(CDIMMER)



LIGHT LEVEL

- ▶ 20-Step Dimming
- ▶ 100% to 5%
- ▶ Dim at Fixture or Remotely
- ▶ Manual & Automatic Dimmer Controls
- ▶ LED Indicators for Light Level

BEAM SPREAD

- ▶ Change Optics in Seconds - w/o Tools
 - ◆ 13°
 - ◆ 24°
 - ◆ 40° (standard)
 - ◆ 64°
 - ◆ 15° x 39°
 - ◆ Optics Removed for Hard-Edged Brighter 90° Beam

GLARE CONTROL

- ▶ Optional Glare Shield
- ▶ Adjust Shield Height and Direction
- ▶ Reverse Shield for Angled or Straight Cut

COLOR OPTIONS

- ▶ Color Options
 - ◆ 2,800° K (standard)
 - ◆ 3,000°K, 3,200°K
 - ◆ Rich Red
 - ◆ Amber Straw
 - ◆ Pumpkin Orange
 - ◆ Green Blue
 - ◆ Sky Blue
 - ◆ Lavender

MOUNTING OPTIONS

- ▶ Wide Range of Mounting Options
- ▶ Talon Stakes® for Solid Immovable Base - Can also be Used without Pins as Canopy-Mount
- ▶ Stopless Knuckles & Threadless Stakes for Free Movement in any Direction.

BUY ONE AND YOU'RE DONE™

You Need Lasting PERFORMANCE



PHYSICAL ABUSE
CORROSION
EXCESS HEAT
SPIKES & SURGES
FUTURE CHANGES

DESIGNED TO SURVIVE

IMPRESSIONIST

“Stake your reputation on solid engineering.”

PHYSICAL ABUSE CORROSION PROTECTION EXCESS HEAT SPIKES & SURGES FUTURE CHANGES

- ▶ Solid Sand-Cast Bronze bodies
- ▶ Thick-Walled Copper Stems & Shrouds
- ▶ Bronze, Copper, Stainless Steel, & Eurometal Mounting Options - all Unbreakable

- ▶ Tin-Coated Marine Grade Wire
- ▶ Stainless Steel Power Supplies
- ▶ All LED Components Protected from Moisture & Dust

- ▶ LED Arrays & Drivers Fully Integrated into Luminaire Body - Ensures Heat Transfer Away from Sensitive Components
- ▶ Thermal Foldback - Reduces Heat During Extreme Conditions

- ▶ Protected from Surges up to 40V
- ▶ Protected from High Transient Spikes
- ▶ No EMI - Will not Interfere with Wireless Devices
- ▶ Wide Input - 10 to 24 Volts AC/DC

- ▶ Adapt Lighting Design as Seasons and Landscapes Change
- ▶ Modular Construction for Replacing or Upgrading Components

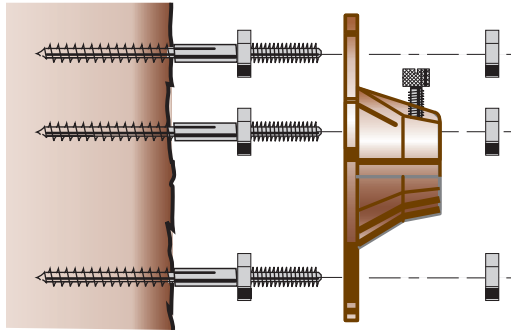
SET YOUR COMPANY APART

Patents Pending.

Impressionist Tree Light Mounting Hardware

For Impressionist Tree Light (CIT164):

Tree Mounting Bracket and Hardware (CTREEH1 - included) to ensure installation does not damage tree:



Impressionist Wall Wash Light Mounting Options

For Impressionist Wall Wash (CIWL6):

Base Unit used as-is (bracket-mounted) or combined with the following (sold separately):

- CWL7KIT**
Canopy-mount with 1.5" Stem
- CWL8KIT**
Stake-mount with 4.5" stem
- CWL9KIT**
Large Talon Stake-mount with 18" stem
- CWL9EXKIT**
Large Talon Stake-mount with extendable stem (21" to 36")



Photometric & Electrical Data (LM79)

Name (Model #)	Optics Options (*Included)	Light Source	Color Temp (CCT) (°K)	Color Rendering Index (CRI)	Lumen Maintenance (L70) (Hrs)	Input Voltage (V)	Input Current (A)	Input Power (W)	Power Factor (pf)	Apparent Power (VA)	Luminaire Lumens (Lm)	Maximum Candela (CBCP)
Impressionist Directional Light (CID140)	13°, 24°, *40°, 64°, 15° x 39°	(1) Cree XML	2,700°K	84	42,300	10-24 AC/DC (Polarity Independent)	0.45	5.0	0.72	6.9	245	450
Impressionist Directional Area Light (CIDA140)												
Impressionist Tree Light (CIT164)	13°, 24°, 40°, *64°, 15° x 39°	(2) Cree XML					0.75	8.5	0.88	9.7	231	222
Impressionist Wall Wash Light (CIWL6)	~120°										352	155

Operational Features

Ambient Temperature Range (Operating): -40°C to +55°C

Thermal Management: Passive thermal transfer through integrated components in physical contact with luminaire body and shroud; active thermal foldback circuitry (for extreme ambient conditions) that reduces current to circuit if junction temperature rises above 85°C.

Component Selection: No electrolytic capacitors; all components rated for high temperatures and long life

Surge & Spike Protection: Transient Voltage Suppressor for high spikes, prolonged protection for voltages over 40V

Moisture Protection: Conformally coated LED board; fully encapsulated driver in thermally conductive epoxy

Electromagnetic Interference Prevention: Configurations and components to maintain EMI below FCC thresholds

Dimming (Light Level Control): Dimmer circuit built into driver - controlled via handheld or switched remote. Two-pin control connector allows control at the luminaire or to be grouped with other luminaires, and extended and controlled anywhere on the property.

Dimensions & Construction

Impressionist Directional Light (CID140)	Shroud, base, and stake (fully extended): 10" long x 2.25" wide. Copper shroud and glare shield (optional); solid sand-cast bronze base, knuckle, and Small Talon Stake® body; Talon Stake spikes: stainless steel.
Impressionist Directional Area Light (CIDA140)	Shroud, base, stem and stake (fully extended): 20.5" long x 2.25" wide. Copper shroud, glare shield (optional), and stem; solid sand-cast bronze base, and knuckle; Large Talon Stake®: PTFE-Coated Eurometal base with stainless steel spikes.
Impressionist Tree Light (CIT164)	Shroud, glare shield, base, and bracket (fully extended): 14" long x 2.25" wide. Copper shroud and glare shield; solid sand-cast bronze base, knuckle, and bracket body; Stainless Steel mounting hardware.
Impressionist Wall Wash Light (CIWL6)	Body and bracket: 6" long x 3" wide x 5" tall. Solid sand-cast bronze body; copper bracket; Stainless Steel mounting hardware.

Fixture Lead Wires (All): No-Ox® Tin-Coated Marine-Grade #18/4 lead wire (2 leads for power, 2 leads terminate in Light Level Control Plug). Lead length is 5 ft. for all Impressionist Series except Tree Light (30-ft. Lead Wire with Control Plug at end).

Listings & Certifications

All Impressionist Lights: Conform to: UL Std's. 1838 & 8750; CE; Certified to CAN/CSA Stds C22.2 No. 250.0 & C22.2 No. 250.13. Suitable for wet locations. FCC Class B Conducted and Radiated. RoHS

CAST Impressionist LED Tree Light (CIT164) Product Information

Your Expression is our Passion!™ The CAST Impressionist Series® LED Tree Light with Remote Dimming & Advanced Features



Description:

One of the ground-breaking Impressionist Series® fixtures, this Tree Light represents state-of-the-art LED technology - internal dimming, thermal fold-back, exceptional optics, and many other proprietary features.

Features:

- ▶ Single-chip warm white (2,700°K) LED source combined with premium optics for superior beam quality. Estimated life (L70): 42,300 hrs.
- ▶ Choice of (5) easy-to-replace optics, including extremely narrow (13°), narrow (24°), medium (40°), wide (64°) (comes with fixture), and asymmetric (15° x 39°).*
- ▶ 20-step light level control with hand-held remote (CDIMMER - sold separately) that can be connected at the base of the fixture. LED indicators display light level. Light can also be dimmed with supplied jumper cable.
- ▶ LED driver accepts 10 to 24 volts AC or DC, is fully encapsulated and thermally bonded to body, features thermal foldback to protect from extreme ambient temperatures, is filtered to prevent EMI interference, and is protected from surges and spikes.
- ▶ Sturdy copper shroud with adjustable, reversible (straight or angled) glare shield (included) for superior glare control.
- ▶ Solid bronze knuckle, base, and bracket can be adjusted to any angle and mounted to tree with one hand.

Construction:

Heavy-duty copper shroud and reversible glare shield; solid bronze base, knuckle and bracket; flat optically-pure lens; stainless steel set screws; 35' tin-coated #16-2 No-Ox® marine-grade power wire; 35' control wire with capped connector, silicone rubber O-rings. Includes mounting hardware (CTREEH1)

Dimensions:

Shroud, base and bracket (fully extended): 14" long x 2.25" wide.

Specifications:

LED Light Source: (1) Cree LED, Est. Life (L70) 42,300 hrs., 2,700° K, 80 CRI

Input Voltage: 10 to 24 V, AC or DC

Power: 4.9 W, 0.7 pf, 7.0 VA

Lumen Output: 299 lm (LED), 253 lm (luminaire with 64° Optics)

Listing:

cUL 1838 and 8750 Listed Low Voltage LED Luminaire for wet locations. FCC compliant. RoHs.

Uses:

Suitable for mounting in trees or on structures to provide natural downlighting or moonlighting effect.

Warranty:

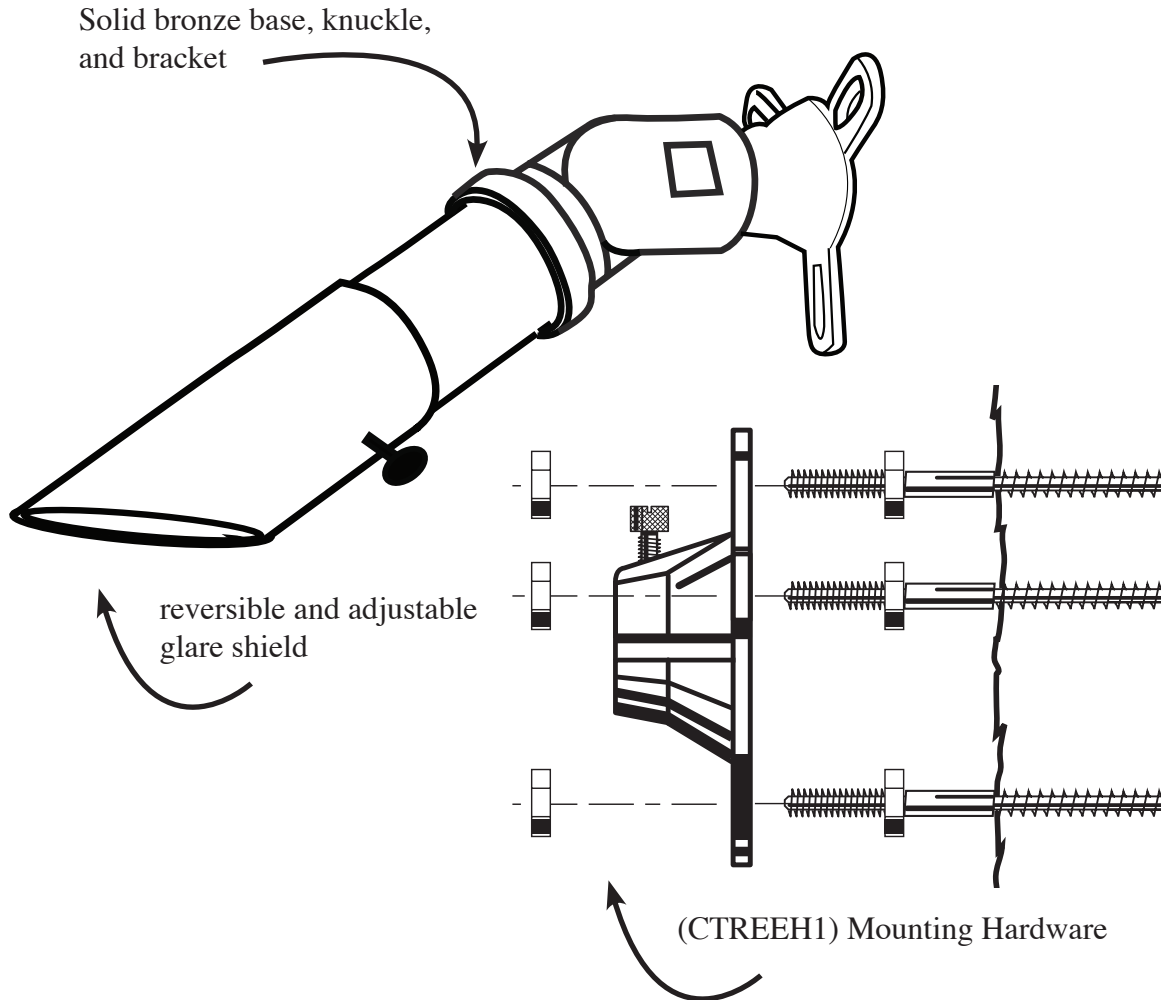
Lifetime warranty on all fixture components. 5-year warranty on LED components.

CAST Impressionist Series LED Tree Light (CIT164)



Project: _____ Date: _____
Fixture Type: _____ Quantity: _____
Specifier: _____

Drawing not to scale



Plan Symbol: **I**

Notes

- Choice of optics (See below)
- 20-step light level control with hand held remote (CDIMMER - sold separately)
- (CTREEH1) Mounting Hardware Incl.

OPTICAL BEAM SPREAD OPTIONS

- 13° (CIDO13)
- 24° (CIDO24)
- 40° (CIDO40) (included)
- 15° X 39° (CIDO15X39)

FEATURES

- ✓ 20 Light Levels
- ✓ 5 Beam Spreads
- ✓ Light level control from dimming unit
- ✓ Optional Adjustable Glare Shield
- ✓ Beam angle control and replaceable optics

CAST Impressionist LED Wall Wash Light (CIWL6) Product Information

Your Expression is our Passion!™ The CAST Impressionist Series® Wall Wash Light with Remote Dimming & Advanced Features



Description:

One of the ground-breaking Impressionist Series® fixtures, this Wall Wash Light represents state-of-the-art LED technology - internal dimming, thermal foldback, exceptional brightness, and many other proprietary features.

Features:

- ▶ Two-chip warm white (2,700°K) LED source in combination with an internal reflector and frosted diffusion lens.
- ▶ 20-step light level control with hand-held remote (CDIMMER - sold separately) that can be connected at the base of the fixture. LED indicators display light level. Light can also be dimmed with supplied jumper cable.
- ▶ LED driver accepts 10 to 24 volts AC or DC, is fully encapsulated and thermally bonded to body, features thermal foldback to protect from extreme ambient temperatures, is filtered to prevent EMI interference, and is protected from surges and spikes.
- ▶ Bracketed assembly can be used as-is or combined with a variety of mounting kits (CWL-KIT Series) for stake, canopy, or extendable mounting.

Uses:

Suitable for either up or down-lighting to provide a wide, bright, and diffuse illumination. Ideal for signs, walls, or plant material.

Warranty:

Lifetime warranty on all fixture components. 5-year warranty on LED components.

Construction:

Solid bronze body, copper bracket; frosted lens; stainless steel set screws; 4' tin-coated #18-4 No-Ox® marine-grade power wire; control wire with capped connector.

Dimensions:

Body and bracket: 6" long x 3" x 4" tall wide.

Orientation:

Can be mounted in any orientation.

Specifications:

LED Light Source: (2) Cree LED's, Est. Life (L70) 42,300 hrs., 2,700° K, 80 CRI

Input Voltage: 10 to 24 V, AC or DC

Power: 8.3 W, 0.87 pf, 9.5 VA

Lumen Output: 352 lm (from luminaire)

Listing:

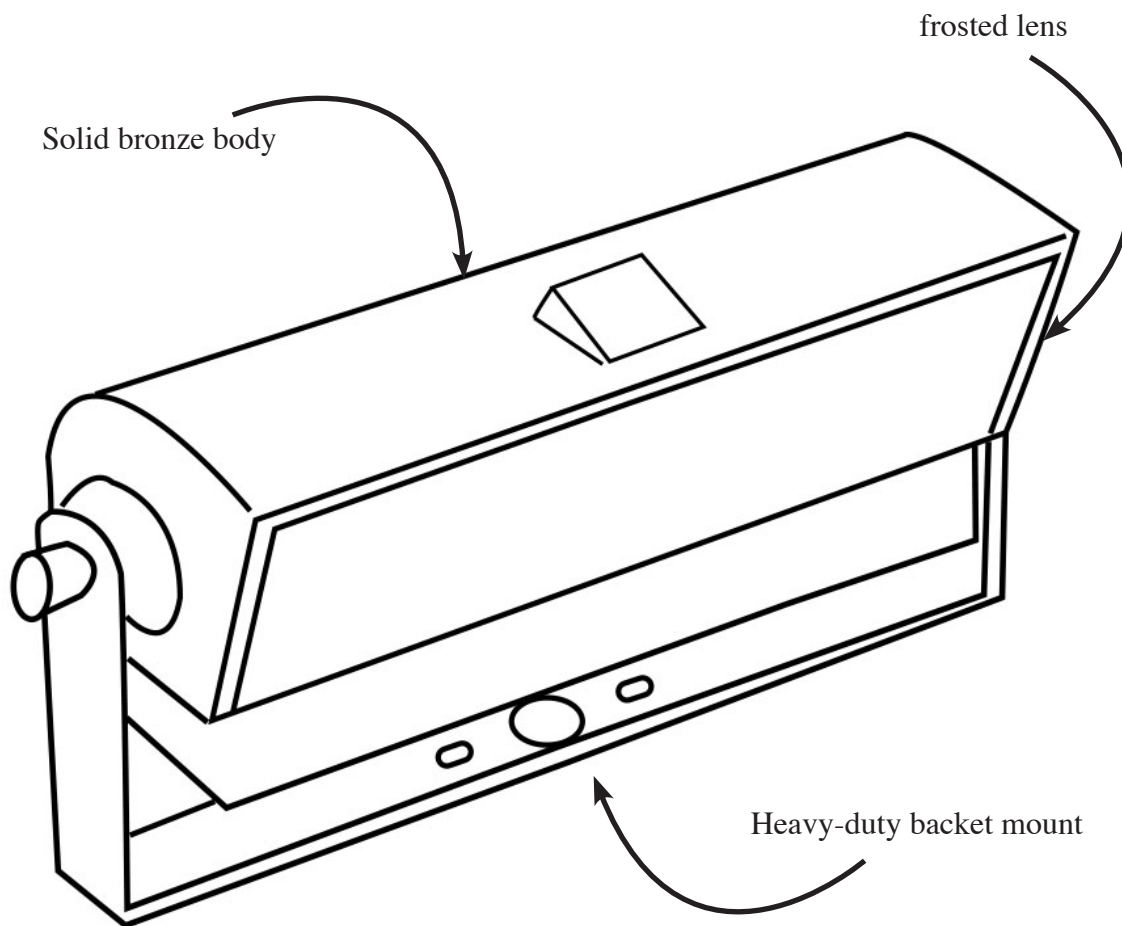
cUL 1838 and 8750 Listed Low Voltage LED Luminaire for wet locations. FCC compliant. RoHs.

CAST Impressionist Series LED Wall Wash Light (CIWL6)



Project: _____ Date: _____
 Fixture Type: _____ Quantity: _____
 Specifier: _____

Drawing not to scale



Plan Symbol: **I**

Notes

- Choice of optics (See below)
- 20-step light level control with hand held remote (CDIMMER - sold separately)

MOUNTING OPTIONS

- ✘ Base Unit - Bracket Mount
- CWL7KIT - Canopy Mount with 1.5" Stem
- CWL8KIT - Stake Mount with 4.5" Stem
- CWL9KIT - Stake Mount with 18" Stem
- CWL9EXKIT - Stake Mount with extendable stem (21" to 36")
- Heavy Duty Mounting Stake (CHMS1CB)

* NOTE: This is a threaded stake. To use with this fixture, purchase adapter (XCBPTLTA)

FEATURES

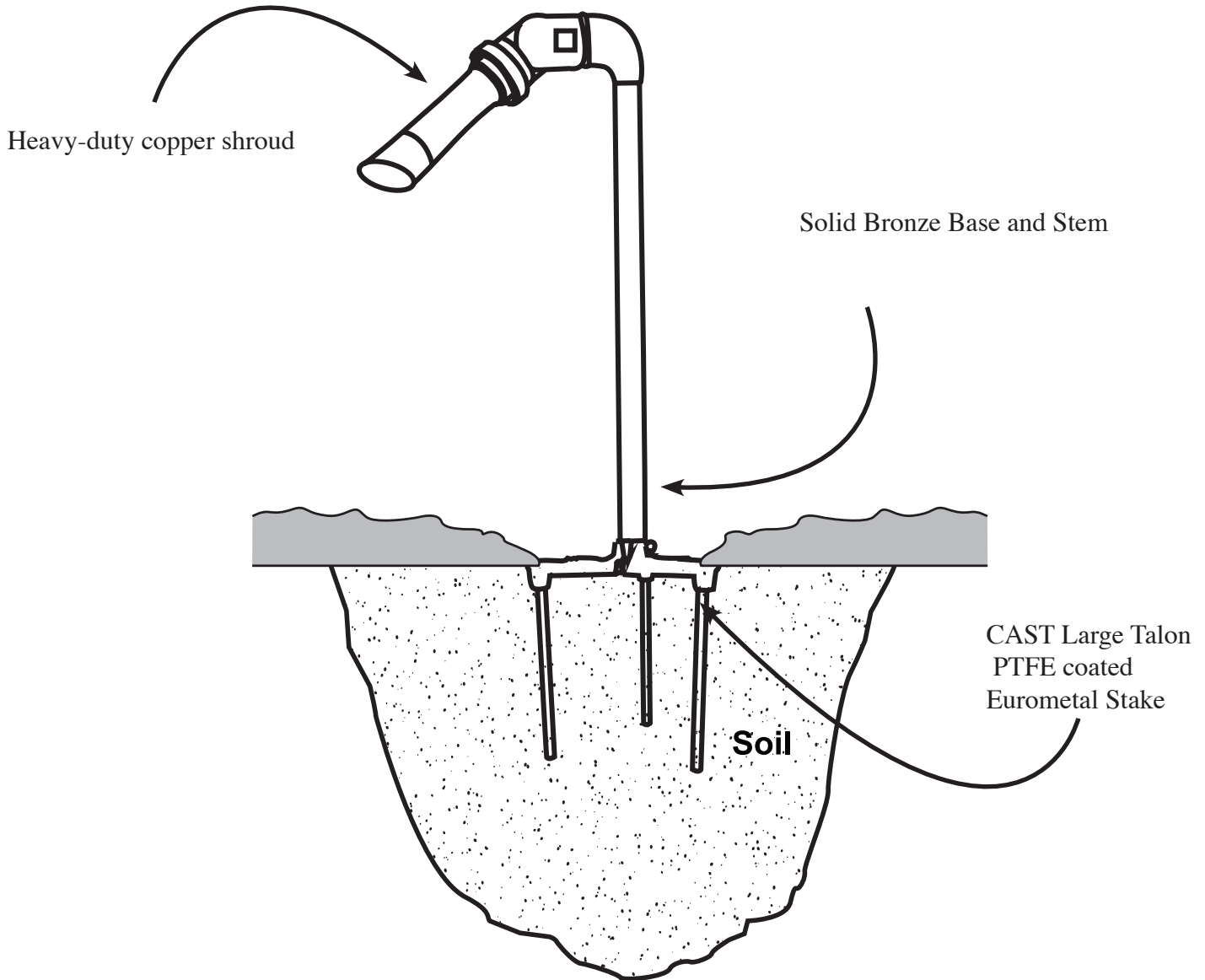
- ✓ 20 Light Levels
- ✓ 5 Beam Spreads
- ✓ Light level control from dimming unit
- ✓ Optional Adjustable Glare Shield
- ✓ Beam angle control and replaceable optics

CAST Impressionist Series LED Directional Area Light (CIDA140)



Project: _____ Date: _____
 Fixture Type: _____ Quantity: _____
 Specifier: _____

Drawing not to scale



Plan Symbol: **I**

Notes

- Choice of optics (See below)
- 20-step light level control with hand held remote (CDIMMER - sold separately)

OPTICAL BEAM SPREAD OPTIONS

- 13° (CIDO13)
- 24° (CIDO24)
- 40° (CIDO40) (included)
- 15° X 39° (CIDO15X39)

FEATURES

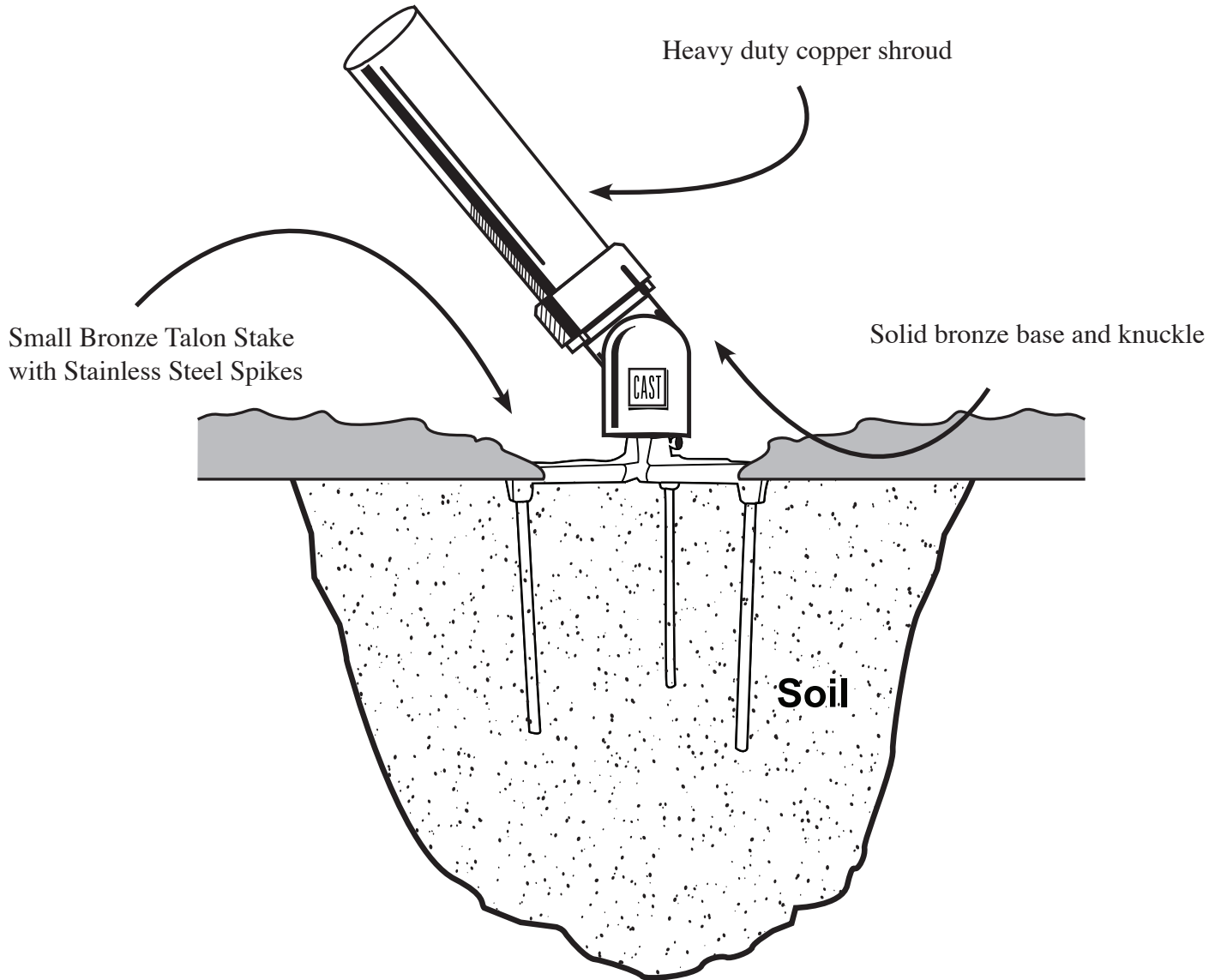
- ✓ 20 Light Levels
- ✓ 5 Beam Spreads
- ✓ Light level control from dimming unit
- ✓ Optional Adjustable Glare Shield
- ✓ Beam angle control and replaceable optics

CAST Impressionist Series LED Directional Light CID140



Project: _____ Date: _____
 Fixture Type: _____ Quantity: _____
 Specifier: _____

Drawing not to scale



Plan Symbol: **I**

Notes

- Choice of optics (See below)
- 20-step light level control with hand held remote (CDIMMER - sold separately)

OPTICAL BEAM SPREAD OPTIONS

- 13° (CIDO13)
- 24° (CIDO24)
- 40° (CIDO40) (included)
- 15° X 39° (CIDO15X39)

FEATURES

- ✓ 20 Light Levels
- ✓ 5 Beam Spreads
- ✓ Light level control from dimming unit
- ✓ Optional Adjustable Glare Shield
- ✓ Beam angle control and replaceable optics



CAST Impressionist Handheld Dimmer Control (CDIMMER)

Your Expression is our Passion!™ The CAST Impressionist Series® Light Level Control at the Fixture or Remote Location



Precise 20-step light level control at the fixture.

Description:

A primary feature of the ground-breaking CAST Impressionist Series® fixtures is the capability for the designer or end-user to control the light level at the fixture or some remote location. The Handheld Dimmer Control (CDIMMER) is simply plugged into the fixture's control receptacle (located on the fixture lead wire) and the user depresses a button to activate the dimming cycle.

Features:

- ▶ 20-step dimming cycle indicated by 10 LED indicator lights on the control unit.
- ▶ Dims from 100% to 5%.
- ▶ One-button activator initiates the dimming cycle either up or down. Each time the button is depressed the direction reverses.
- ▶ Depressing button continuously for 15 seconds bring fixture to full brightness.
- ▶ Fixture electronics hold light level in memory.

Uses:

Controls light levels for all Impressionist Series® fixtures.

Warranty:

1-year warranty.

Construction:

Sturdy plastic body with 6-foot control cable terminating in 2-pin plug.

Dimensions:

7" long x 2.5" wide x 1.25" deep.

Care Instructions:

Store in cool dry place. Do not expose to rain or snow. Replace batteries once per year.

Specifications:

Voltage: 4.0 to 6.7 VDC - (4) AA batteries included.

Current: 0.09 A Max.

Power: 0.65 W Max.