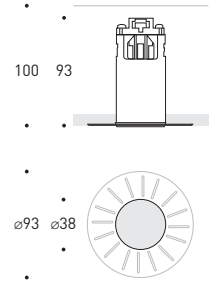
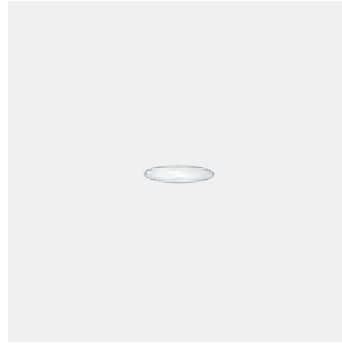
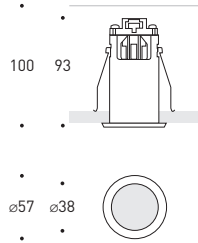
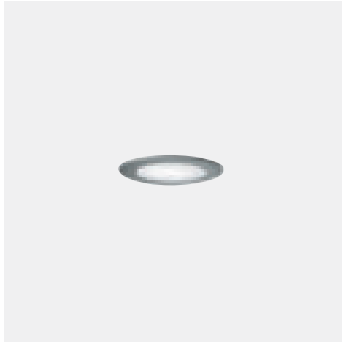
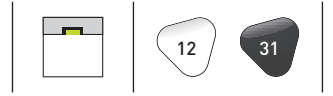


TRYBECA SYSTEM

Round fixed recessed projector (with bezel or trimless) and remote driver



3 W		375 lm					
LED	driver reference	optics reference	beam width	lumen reference		finish reference	
			110° 66° 152°	nom. lm	K	CRI	
[0]	BC0A0	[12]	[31]	HW	266	2700	>90
				HQ	310	3000	>90
				WW	350	3000	>85
				NN	375	4000	>85

spacers (pg. 067)

possible configuration: [0] BC0A0 [12] [31]

Every Trybeca product will come with a full set of spacers for the three positions: flush, recessed and drop.

3 W		375 lm					
LED	driver reference	optics reference	beam width	lumen reference		finish reference	
			110° 66° 152°	nom. lm	K	CRI	
[0]	CC0A0	[12]	[31]	HW	266	2700	>90
				HQ	310	3000	>90
				WW	350	3000	>85
				NN	375	4000	>85

spacers (pg. 067)

possible configuration: [0] CC0A0 [12] [31]

Every Trybeca product will come with a full set of spacers for the three positions: flush, recessed and drop.

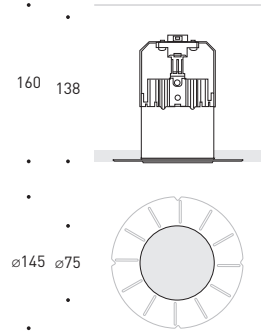
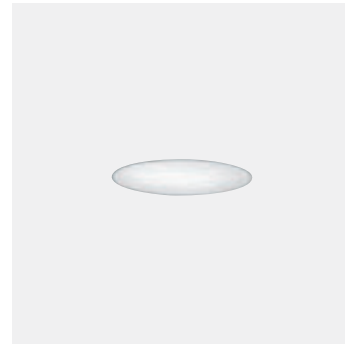
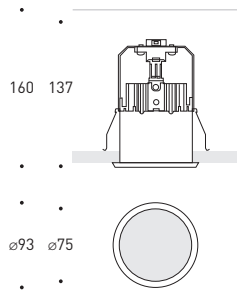
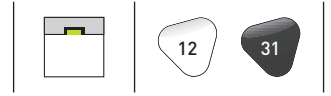


Accessories (pg. 067).
Photometric data (pg. 742).



Accessories (pg. 067).
Photometric data (pg. 742).

Round fixed recessed projector (with bezel or trimless) and remote driver



6 W		700 lm						
LED	driver reference	optics reference	beam width	lumen reference			finish reference	
			106° 96° 142°	nom. lm	K	CRI		
∅		BC0B0	 spacers (pg. 067)	HW	450	2700	>90	[12]
				HQ	570	3000	>90	[31]
V				WW	650	3000	>85	
				NN	700	4000	>85	
possible configuration				∅, BC0B0, [HQ], [12]				

6 W		700 lm						
LED	driver reference	optics reference	beam width	lumen reference			finish reference	
			106° 96° 142°	nom. lm	K	CRI		
∅		CC0B0	 spacers (pg. 067)	HW	450	2700	>90	[12]
				HQ	570	3000	>90	[31]
V				WW	650	3000	>85	
				NN	700	4000	>85	
possible configuration				∅, CC0B0, [HQ], [12]				

8 W		975 lm						
LED	driver reference	optics reference	beam width	lumen reference			finish reference	
			106° 96° 142°	nom. lm	K	CRI		
∅		BC0C0	 spacers (pg. 067)	HW	637	2700	>90	[12]
				HQ	765	3000	>90	[31]
V				WW	880	3000	>85	
				NN	975	4000	>85	
possible configuration				∅, BC0C0, [HQ], [12]				

8 W		975 lm						
LED	driver reference	optics reference	beam width	lumen reference			finish reference	
			106° 96° 142°	nom. lm	K	CRI		
∅		CC0C0	 spacers (pg. 067)	HW	637	2700	>90	[12]
				HQ	765	3000	>90	[31]
V				WW	880	3000	>85	
				NN	975	4000	>85	
possible configuration				∅, CC0C0, [HQ], [12]				

Every Trybeca product will come with a full set of spacers for the three positions: flush, recessed and drop.

WARM DIMMING VERSIONS (DT 3000/2000K CRI>90) AVAILABLE ON REQUEST.

Every Trybeca product will come with a full set of spacers for the three positions: flush, recessed and drop.

WARM DIMMING VERSIONS (DT 3000/2000K CRI>90) AVAILABLE ON REQUEST.

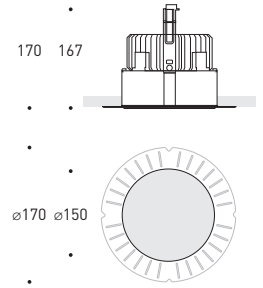
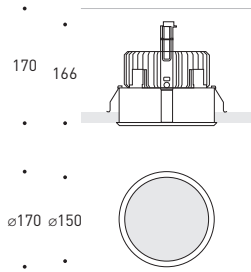
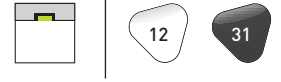


Accessories (pg. 067).
Photometric data (pg. 743).



Accessories (pg. 067).
Photometric data (pg. 743).

Round fixed recessed projector (with bezel or trimless) and remote driver



12 W*
24 W*

1460 lm
2565 lm

LED	driver reference	optics reference	beam width	lumen reference			finish reference
				nom. lm	K	CRI	
[Ø]		BCØEØ	106° 108° 104° 120°	[HW]	971 1637	2700 >90	[12] [31]
[V]				[HQ]	1155 2030	3000 >90	
[D]			spacers (pg. 067)	[WW]	1320 2470	3000 >85	
[T]				[NN]	1460 2565	4000 >85	
possible configuration				[Ø]_BCØEØ_[HQ]_[12]			

Every Trybeca product will come with a full set of spacers for the three positions: flush, recessed and drop.

Warm dimming versions (DT 3000/2000K CRI>90) available on request.



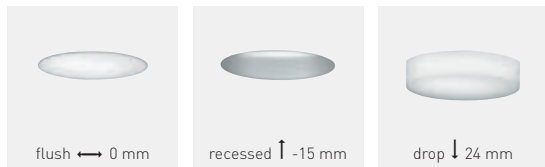
12 W*
24 W*

1460 lm
2565 lm

LED	driver reference	optics reference	beam width	lumen reference			finish reference
				nom. lm	K	CRI	
[Ø]		CCØEØ	106° 108° 104° 120°	[HW]	971 1637	2700 >90	[12] [31]
[V]				[HQ]	1155 2030	3000 >90	
[D]			spacers (pg. 067)	[WW]	1320 2470	3000 >85	
[T]				[NN]	1460 2565	4000 >85	
possible configuration				[Ø]_CCØEØ_[HQ]_[12]			

Every Trybeca product will come with a full set of spacers for the three positions: flush, recessed and drop.

Warm dimming versions (DT 3000/2000K CRI>90) available on request.

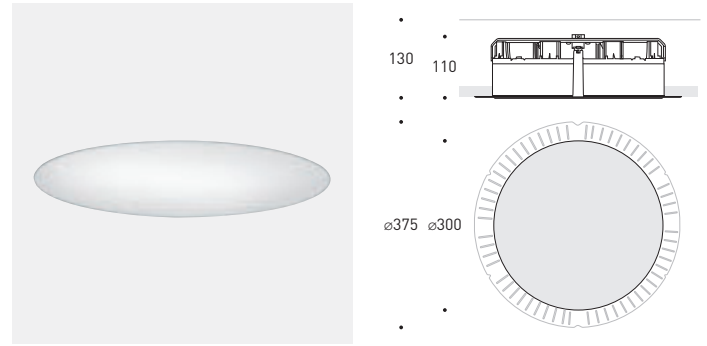
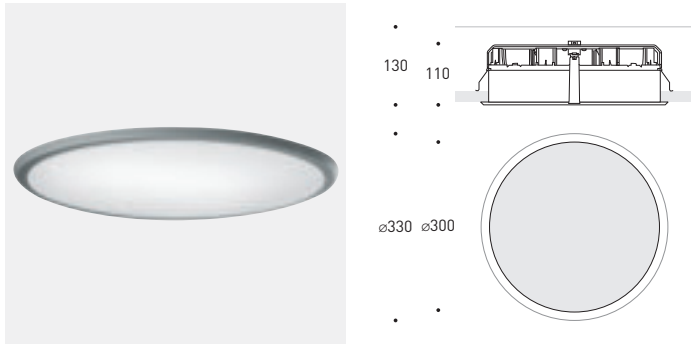
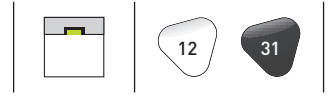


Accessories (pg. 067).
Photometric data (pg. 745-746).



Accessories (pg. 067).
Photometric data (pg. 745-746).

Round fixed recessed projector (with bezel or trimless) and remote driver



33 W		4096 lm						
LED	driver reference	optics reference	beam width	lumen reference		finish reference		
				nom. lm	K	CRI		
[Ø]	[V]	[D]		[HW]	2797	2700	>90	[12]
				[HQ]	3360	3000	>90	[31]
				[WW]	3818	3000	>80	
				[NN]	4096	4000	>80	

33 W		4096 lm						
LED	driver reference	optics reference	beam width	lumen reference		finish reference		
				nom. lm	K	CRI		
[Ø]	[V]	[D]		[HW]	2797	2700	>90	[12]
				[HQ]	3360	3000	>90	[31]
				[WW]	3818	3000	>80	
				[NN]	4096	4000	>80	

possible configuration **[Ø] BCØLØ [HQ] [12]**

possible configuration **[Ø] CCØLØ [HQ] [12]**

Every Trybeca product will come with a full set of spacers for the three positions: flush, recessed and drop.

Every Trybeca product will come with a full set of spacers for the three positions: flush, recessed and drop.

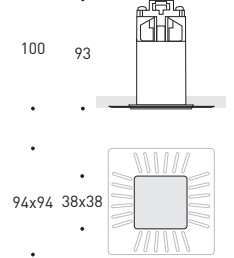
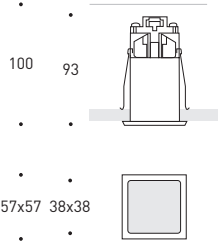


Accessories (pg. 067).
Photometric data (pg. 747).



Accessories (pg. 067).
Photometric data (pg. 747).

Square fixed recessed projector (with bezel or trimless) and remote driver



3 W		375 lm						
LED	driver reference	optics reference	beam width	lumen reference		finish reference		
			↔ ↑ ↓	nom. lm	K	CRI		
[0]	DC0A0	110° 66° 152°	 spacers (pg. 067)	[HW]	266	2700	>90	[12]
				[HQ]	310	3000	>90	[31]
				[WW]	350	3000	>85	
				[NN]	375	4000	>85	
possible configuration				[0] DC0A0 [HQ] [12]				

Every Trybeca product will come with a full set of spacers for the three positions: flush, recessed and drop.

3 W		375 lm						
LED	driver reference	optics reference	beam width	lumen reference		finish reference		
			↔ ↑ ↓	nom. lm	K	CRI		
[0]	FC0A0	110° 66° 152°	 spacers (pg. 067)	[HW]	266	2700	>90	[12]
				[HQ]	310	3000	>90	[31]
				[WW]	350	3000	>85	
				[NN]	375	4000	>85	
possible configuration				[0] FC0A0 [HQ] [12]				

Every Trybeca product will come with a full set of spacers for the three positions: flush, recessed and drop.

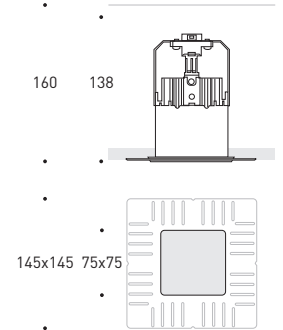
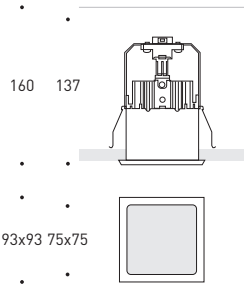
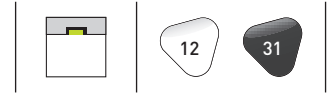


Accessories (pg. 067).
Photometric data (pg. 748).



Accessories (pg. 067).
Photometric data (pg. 748).

Square fixed recessed projector (with bezel or trimless) and remote driver



LED	driver reference	optics reference	beam width	700 lm			lumen reference	finish reference
			106° 96° 142°	nom. lm	K	CRI		
∅		DC0B0	 spacers (pg. 067)	HW	450	2700	>90	[12]
		HQ		570	3000	>90	[31]	
V		WW		650	3000	>85		
		NN		700	4000	>85		
D								
T								
possible configuration				∅, DC0B0, [HQ], [12]				

LED	driver reference	optics reference	beam width	700 lm			lumen reference	finish reference
			106° 96° 142°	nom. lm	K	CRI		
∅		FC0B0	 spacers (pg. 067)	HW	450	2700	>90	[12]
		HQ		570	3000	>90	[31]	
V		WW		650	3000	>85		
		NN		700	4000	>85		
D								
T								
possible configuration				∅, FC0B0, [HQ], [12]				

LED	driver reference	optics reference	beam width	975 lm			lumen reference	finish reference
			106° 96° 142°	nom. lm	K	CRI		
∅		DC0C0	 spacers (pg. 067)	HW	637	3000	>90	[12]
		HQ		765	3000	>90	[31]	
V		WW		880	3000	>85		
		NN		975	4000	>85		
D								
T								
possible configuration				∅, DC0C0, [HQ], [12]				

LED	driver reference	optics reference	beam width	975 lm			lumen reference	finish reference
			106° 96° 142°	nom. lm	K	CRI		
∅		FC0C0	 spacers (pg. 067)	HW	637	3000	>90	[12]
		HQ		765	3000	>90	[31]	
V		WW		880	3000	>85		
		NN		975	4000	>85		
D								
T								
possible configuration				∅, FC0C0, [HQ], [12]				

Every Trybeca product will come with a full set of spacers for the three positions: flush, recessed and drop.

WARM DIMMING VERSIONS (DT 3000/2000K CRI>90) AVAILABLE ON REQUEST.

Every Trybeca product will come with a full set of spacers for the three positions: flush, recessed and drop.

WARM DIMMING VERSIONS (DT 3000/2000K CRI>90) AVAILABLE ON REQUEST.

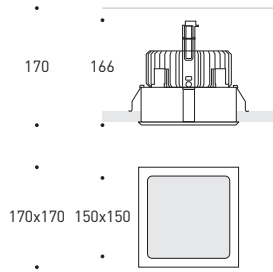


Accessories (pg. 067).
Photometric data (pg. 749-750).



Accessories (pg. 067).
Photometric data (pg. 749-750).

Square fixed recessed projector (with bezel or trimless) and remote driver



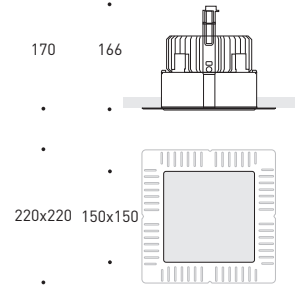
12 W*
24 W*

1460 lm
2565 lm

LED	driver reference	optics reference	beam width	lumen reference			finish reference
				nom. lm	K	CRI	
[Ø]		DCØEØ	106° 108° 104° 120°	[HW]	971 1637	2700 >90	[12] [31]
[V]				[HQ]	1155 2030	3000 >90	
[D]			spacers (pg. 067)	[WW]	1320 2470	3000 >85	
[T]				[NN]	1460 2565	4000 >85	
possible configuration				[Ø]_DCØEØ_[HQ]_[12]			

Every Trybeca product will come with a full set of spacers for the three positions: flush, recessed and drop.

Warm dimming versions (DT 3000/2000K CRI>90) available on request.



12 W*
24 W*

1460 lm
2565 lm

LED	driver reference	optics reference	beam width	lumen reference			finish reference
				nom. lm	K	CRI	
[Ø]		FCØEØ	106° 108° 104° 120°	[HW]	971 1637	2700 >90	[12] [31]
[V]				[HQ]	1155 2030	3000 >90	
[D]			spacers (pg. 067)	[WW]	1320 2470	3000 >85	
[T]				[NN]	1460 2565	4000 >85	
possible configuration				[Ø]_FCØEØ_[HQ]_[12]			

Every Trybeca product will come with a full set of spacers for the three positions: flush, recessed and drop.

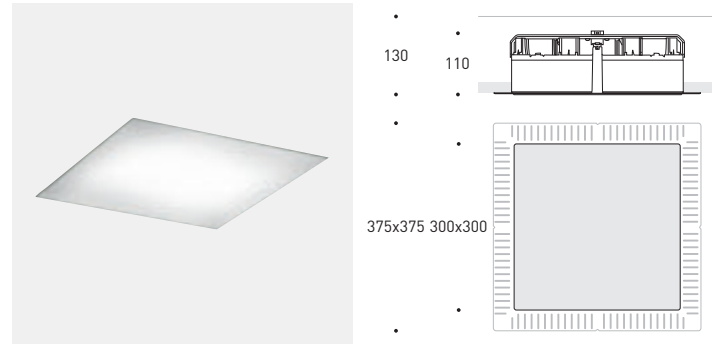
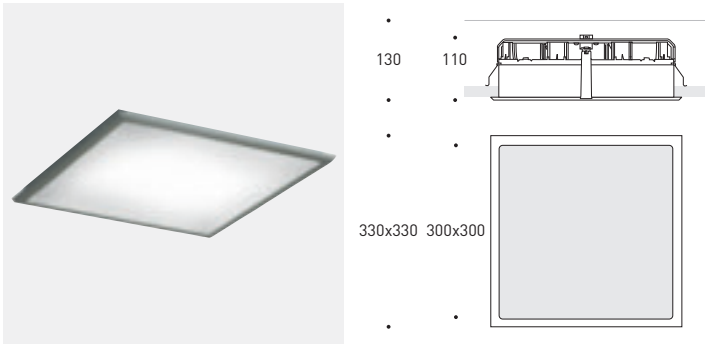
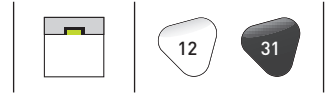


Accessories (pg. 067).
Photometric data (pg. 751-752).



Accessories (pg. 067).
Photometric data (pg. 751-752).

Square fixed recessed projector (with bezel or trimless) and remote driver



32 W		4105 lm						
LED	driver reference	optics reference	beam width	lumen reference		finish reference		
				nom. lm	K	CRI		
[Ø]	[V]	[D]	<p>spacers (pg. 067)</p>	[HW]	2913	2700	>90	[12]
				[HQ]	3500	3000	>90	[31]
				[WW]	4012	3000	>80	
				[NN]	4105	4000	>80	
possible configuration				[Ø], DCØLØ, [HQ], [12]				

32 W		4106 lm						
LED	driver reference	optics reference	beam width	lumen reference		finish reference		
				nom. lm	K	CRI		
[Ø]	[V]	[D]	<p>spacers (pg. 067)</p>	[HW]	2913	2700	>90	[12]
				[HQ]	3500	3000	>90	[31]
				[WW]	4012	3000	>80	
				[NN]	4105	4000	>80	
possible configuration				[Ø], FCØLØ, [HQ], [12]				

Every Trybeca product will come with a full set of spacers for the three positions: flush, recessed and drop.

Every Trybeca product will come with a full set of spacers for the three positions: flush, recessed and drop.

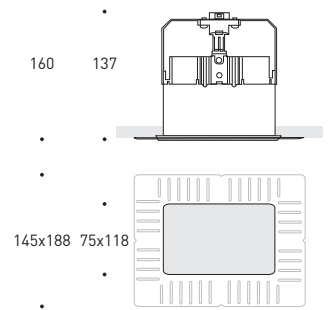
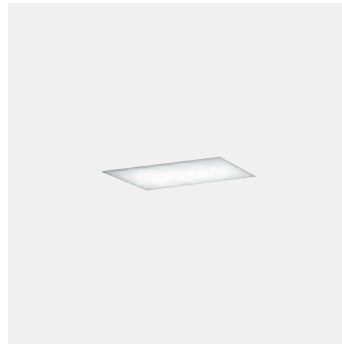
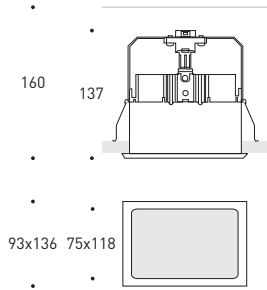
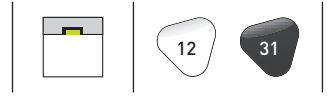


Accessories (pg. 067).
Photometric data (pg. 753).



Accessories (pg. 067).
Photometric data (pg. 753).

Rectangular fixed recessed projector (with bezel or trimless) and remote driver



6 W		700 lm						
LED	driver reference	optics reference	beam width	lumen reference			finish reference	
				nom. lm	K	CRI		
<div style="display: flex; flex-direction: column; align-items: center;"> <div style="margin-bottom: 5px;">↔ ↑ ↓</div> <div style="margin-bottom: 5px;">106° 96° 142°</div> <div style="margin-bottom: 5px;"> </div> <div>spacers (pg. 067)</div> </div>	GC0B0			HW	450	2700	>90	[12]
				HQ	570	3000	>90	[31]
				WW	650	3000	>85	
				NN	700	4000	>85	
possible configuration				[0], GC0B0, [HQ], [12]				

6 W		700 lm						
LED	driver reference	optics reference	beam width	lumen reference			finish reference	
				nom. lm	K	CRI		
<div style="display: flex; flex-direction: column; align-items: center;"> <div style="margin-bottom: 5px;">↔ ↑ ↓</div> <div style="margin-bottom: 5px;">106° 96° 142°</div> <div style="margin-bottom: 5px;"> </div> <div>spacers (pg. 067)</div> </div>	HC0B0			HW	450	2700	>90	[12]
				HQ	570	3000	>90	[31]
				WW	650	3000	>85	
				NN	700	4000	>85	
possible configuration				[0], HC0B0, [HQ], [12]				

8 W		975 lm						
LED	driver reference	optics reference	beam width	lumen reference			finish reference	
				nom. lm	K	CRI		
<div style="display: flex; flex-direction: column; align-items: center;"> <div style="margin-bottom: 5px;">↔ ↑ ↓</div> <div style="margin-bottom: 5px;">106° 96° 142°</div> <div style="margin-bottom: 5px;"> </div> <div>spacers (pg. 067)</div> </div>	GC0C0			HW	637	2700	>90	[12]
				HQ	765	3000	>90	[31]
				WW	880	3000	>85	
				NN	975	4000	>85	
possible configuration				[0], GC0C0, [HQ], [12]				

8 W		975 lm						
LED	driver reference	optics reference	beam width	lumen reference			finish reference	
				nom. lm	K	CRI		
<div style="display: flex; flex-direction: column; align-items: center;"> <div style="margin-bottom: 5px;">↔ ↑ ↓</div> <div style="margin-bottom: 5px;">106° 96° 142°</div> <div style="margin-bottom: 5px;"> </div> <div>spacers (pg. 067)</div> </div>	HC0C0			HW	637	2700	>90	[12]
				HQ	765	3000	>90	[31]
				WW	880	3000	>85	
				NN	975	4000	>85	
possible configuration				[0], HC0C0, [HQ], [12]				

Every Trybeca product will come with a full set of spacers for the three positions: flush, recessed and drop.

WARM DIMMING VERSIONS (DT 3000/2000K CRI>90) AVAILABLE ON REQUEST.

Every Trybeca product will come with a full set of spacers for the three positions: flush, recessed and drop.

WARM DIMMING VERSIONS (DT 3000/2000K CRI>90) AVAILABLE ON REQUEST.

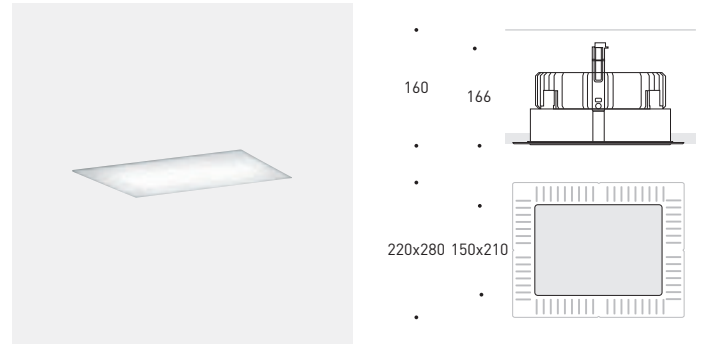
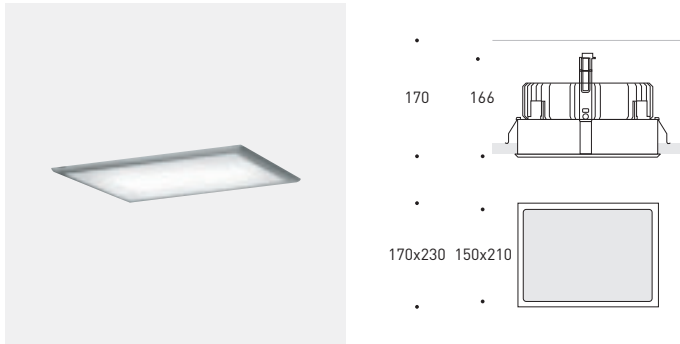
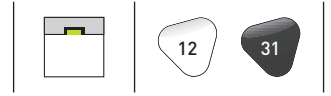


Accessories (pg. 067).
Photometric data (pg. 754-755).



Accessories (pg. 067).
Photometric data (pg. 754-755).

Rectangular fixed recessed projector (with bezel or trimless) and remote driver



LED	driver reference	optics reference	beam width	lumen reference			finish reference
				nom. lm	K	CRI	
<div style="display: flex; align-items: center;"> <div style="margin-right: 10px;"> <div style="border: 1px solid black; padding: 2px;">Ø</div> <div style="border: 1px solid black; padding: 2px;">V</div> <div style="border: 1px solid black; padding: 2px;">D</div> <div style="border: 1px solid black; padding: 2px;">T</div> </div> <div style="text-align: center;"> <p>↑ ↓</p> <p>spacers (pg. 067)</p> </div> </div>	GC0E0	106° 108°	104° 120°	HW	971 1637	2700 >90	[12] [31]
				HQ	1155 2030	3000 >90	
				WW	1320 2470	3000 >85	
				NN	1460 2565	4000 >85	
possible configuration				[Ø].GC0E0 . [HQ] [12]			

LED	driver reference	optics reference	beam width	lumen reference			finish reference
				nom. lm	K	CRI	
<div style="display: flex; align-items: center;"> <div style="margin-right: 10px;"> <div style="border: 1px solid black; padding: 2px;">Ø</div> <div style="border: 1px solid black; padding: 2px;">V</div> <div style="border: 1px solid black; padding: 2px;">D</div> <div style="border: 1px solid black; padding: 2px;">T</div> </div> <div style="text-align: center;"> <p>↑ ↓</p> <p>spacers (pg. 067)</p> </div> </div>	HC0E0	106° 108°	104° 120°	HW	971 1637	2700 >90	[12] [31]
				HQ	1155 2030	3000 >90	
				WW	1320 2470	3000 >85	
				NN	1460 2565	4000 >85	
possible configuration				[Ø].HC0E0 . [HQ] [12]			

Every Trybeca product will come with a full set of spacers for the three positions: flush, recessed and drop.

WARM DIMMING VERSIONS (DT 3000/2000K CRI>90) AVAILABLE ON REQUEST.

Every Trybeca product will come with a full set of spacers for the three positions: flush, recessed and drop.

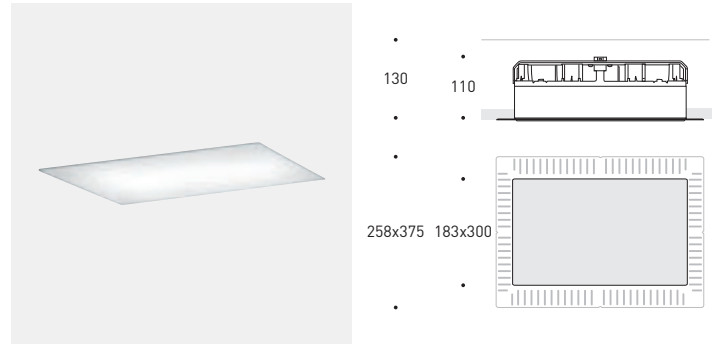
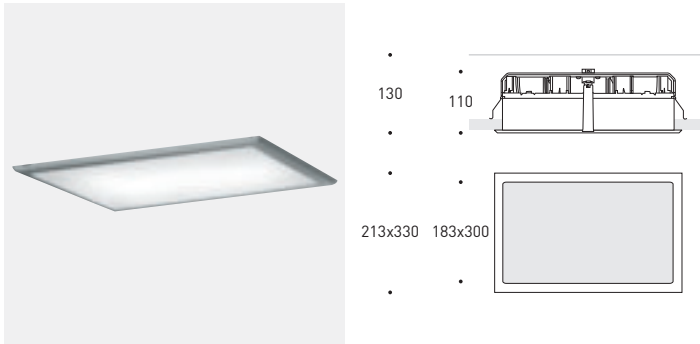
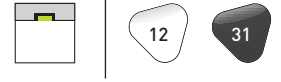
WARM DIMMING VERSIONS (DT 3000/2000K CRI>90) AVAILABLE ON REQUEST.



Accessories (pg. 067).
Photometric data (pg. 756-757).

Accessories (pg. 067).
Photometric data (pg. 756-757).

Rectangular fixed recessed projector (with bezel or trimless) and remote driver



LED	driver reference	optics reference	beam width	2613 lm			finish reference	
				nom. lm	K	CRI		
[Ø]	GCØFØ	110° 106° 116°		[HW]	1789	2700	>90	[12]
				[HQ]	2150	3000	>90	[31]
				[WW]	2436	3000	>80	
				[NN]	2613	4000	>80	
[V]				spacers (pg. 067)				
[D]				spacers (pg. 067)				

LED	driver reference	optics reference	beam width	2613 lm			finish reference	
				nom. lm	K	CRI		
[Ø]	HCØFØ	110° 106° 116°		[HW]	1789	2700	>90	[12]
				[HQ]	2150	3000	>90	[31]
				[WW]	2436	3000	>80	
				[NN]	2613	4000	>80	
[V]				spacers (pg. 067)				
[D]				spacers (pg. 067)				

possible configuration [Ø] GCØFØ [HQ] [12]

possible configuration [Ø] HCØFØ [HQ] [12]

Every Trybeca product will come with a full set of spacers for the three positions: flush, recessed and drop.

Every Trybeca product will come with a full set of spacers for the three positions: flush, recessed and drop.



Accessories (pg. 067).
Photometric data (pg. 758).



Accessories (pg. 067).
Photometric data (pg. 758).

Accessories
LED

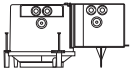
TRYBECA	38	<input type="checkbox"/>	details	reference	finish reference
----------------	-----------	--------------------------	---------	-----------	------------------



formwork to install in reinforced concrete and masonry

0.40190.00

100



plastic spacer set to position diffuser – recessed/flush/drop

1.38223.00

100



possible configuration

0.40190.00 100

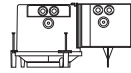
TRYBECA	150	<input type="checkbox"/>	details	reference	finish reference
----------------	------------	--------------------------	---------	-----------	------------------



formwork to install in reinforced concrete and masonry

0.40193.00

100



plastic spacer set to position diffuser – recessed/flush/drop

1.38224.00

100



possible configuration

0.40193.00 100

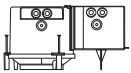
TRYBECA	75	<input type="checkbox"/>	details	reference	finish reference
----------------	-----------	--------------------------	---------	-----------	------------------



formwork to install in reinforced concrete and masonry

0.40191.00

100



plastic spacer set to position diffuser – recessed/flush/drop

1.37824.00

100



possible configuration

0.40191.00 100

TRYBECA	300	<input type="checkbox"/>	details	reference	finish reference
----------------	------------	--------------------------	---------	-----------	------------------



plastic spacer set to position diffuser – recessed/flush/drop

1.38410.00

100



possible configuration

1.38410.00 100

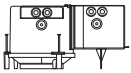
TRYBECA	75	<input type="checkbox"/>	details	reference	finish reference
----------------	-----------	--------------------------	---------	-----------	------------------



formwork to install in reinforced concrete and masonry

0.40192.00

100



plastic spacer set to position diffuser – recessed/flush/drop

1.37824.00

100



possible configuration

0.40192.00 100